

# OEM-TST电动绞盘

ONLY for Wholesale or Group Purchasing

中国汽车绞盘网(Mywinch.com)是中国大陆首创、迄今唯一的汽车绞盘专业网站，历经八年持续经营，为越野车、清障车、消防车、军用车、特种车及工程应用等客户提供手动绞盘、电动绞盘、液压绞盘和相关技术支持。

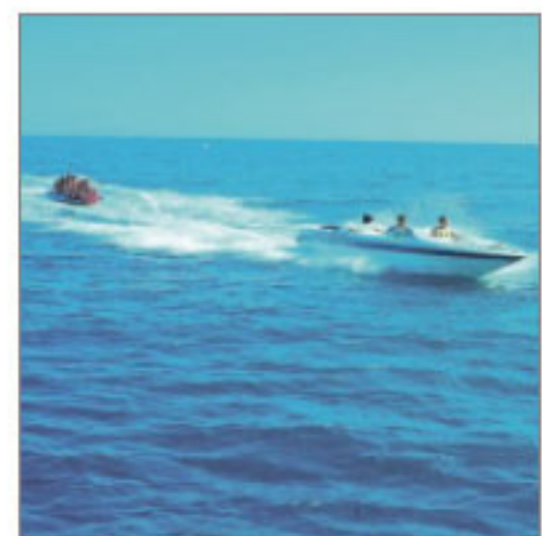
[Mywinch.com/Wholesale](http://Mywinch.com/Wholesale)



## EWP2000 Portable Electric Winch

### Specification:

<b>Capacity:</b>	6000lbs.Rolling 5000lbs.Marine(Rolling Bunk) 2000lbs.Pulling Capacity
<b>Max. Boat Size:</b>	18 feet
<b>Max. Boat Weight:</b>	5000lbs
<b>Line Speed:</b>	6 ft/min with Load
<b>Cable Length:</b>	30 Ft
<b>Power Supply:</b>	12 Volts
<b>Power Cord:</b>	9'9" L. Negative Lead 9'9" L. Positive Lead
<b>Remote Switch:</b>	9'9" L.
<b>Mounting plate:</b>	8-3/4" x4-15/16" x1-1/4"
<b>Overall Dimensions:</b>	7.8" x 8.7" x6.9"
<b>Net Weight:</b>	17.6 lbs







## 2000 lbs Electric Winch

EWP2000-L/2000-LA /2000-LA-W  
EWP2000-LB /2000-LB-W/2000-LC

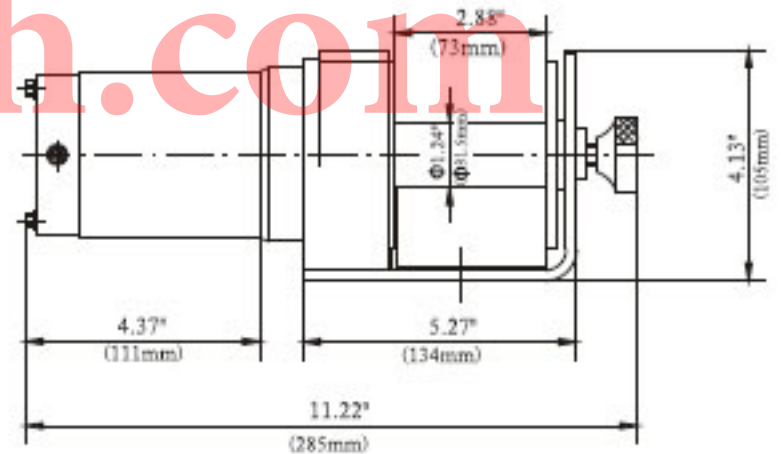
### Notice:

- 1) Do not use winch as a hoist, do not use for transportation of people.
- 2) Don't operate and spool under full load over one minute continuously.
- 3) While motor is over heating, please stop for a while to cool down.
- 4) Limited lifetime warranty.



### Specification:

Rated line pull	2000lbs (907 kgs)
Motor: Permanent magnet	0.7 kw/0.9hp (12V) 0.8 kw/1.0hp (24V)
Gear reduction ratio	153:1
Cable (Dia x L)	φ5/32" x49'( φ4mm x 15m)
Drum size (Dia x L)	φ1.24" x2.88"( φ31.5 x73mm)
Overall Dimensions	11.2" x4.1" x4.1"(285 x105 x105mm)
Mounting bolt pattern	3.13" (79.5mm)
Weight	11 lbs (5.0kgs)



### Line Pull And Rope Capacity In Layer

Layer	Rated line pull lbs (kgs)	Total rope on drum ft (m)
1	2000 (907)	6.5(2.0)
2	1630 (739)	14.0(4.3)
3	1380(626)	22.0(6.8)
4	1190 (540)	31.0(9.5)
5	1050 (476)	41.0(12.5)
6	940(426)	49.0(15.0)

### Pull, Speed, Amps, Volts (First layer)

Line pull lbs (kgs)	Line speed ft/min(m/min)		Current A	
	12V DC	24V DC	12V DC	24V DC
0	10.5(3.2)	11.8(3.6)	12	6
500 (227)	9.2 (2.8)	10.2(3.1)	25	10
1000(454)	7.5 (2.3)	8.5 (2.6)	40	15
1500(680)	5.9 (1.8)	6.9 (2.1)	60	25
2000(907)	3.3 (1.0)	3.6 (1.1)	90	55



**Specification:**

---

<b>Capacity:</b>	9000lbs.Rolling 7500lbs.Marine(Rolling Bunk) 3000lbs.Pulling Capacity
<b>Max. Boat Size:</b>	20 feet
<b>Max. Boat Weight:</b>	7500lbs
<b>Line Speed:</b>	6 ft/min with Load
<b>Cable Length:</b>	30 Ft
<b>Power Supply;</b>	12 Volts
<b>Power Cord:</b>	9'9" L. Negative Lead 9'9" L. Positive Lead
<b>Remote Switch:</b>	9'9" L.
<b>Mounting plate:</b>	8-3/4" x4-15/16" x1-1/4"
<b>Overall Dimensions:</b>	8" x9" x7-1/2"
<b>Net Weight:</b>	24.0 lbs



Mywinch.com





**Specification:**

---

<b>Capacity:</b>	9000lbs.Rolling 7500lbs.Marine(Rolling Bunk) 3000lbs.Pulling Capacity
<b>Max. Boat Size:</b>	20 feet
<b>Max. Boat Weight:</b>	7500lbs
<b>Line Speed:</b>	6 ft/min with Load
<b>Cable Length:</b>	30 Ft
<b>Power Supply;</b>	12 Volts
<b>Power Cord:</b>	9'9" L. Negative Lead 9'9" L. Positive Lead
<b>Remote Switch:</b>	9'9" L.
<b>Mounting plate:</b>	8-3/4" x4-15/16" x1-1/4"
<b>Overall Dimensions:</b>	8" x9" x7-1/2"
<b>Net Weight:</b>	24.0 lbs



Mywinch.com





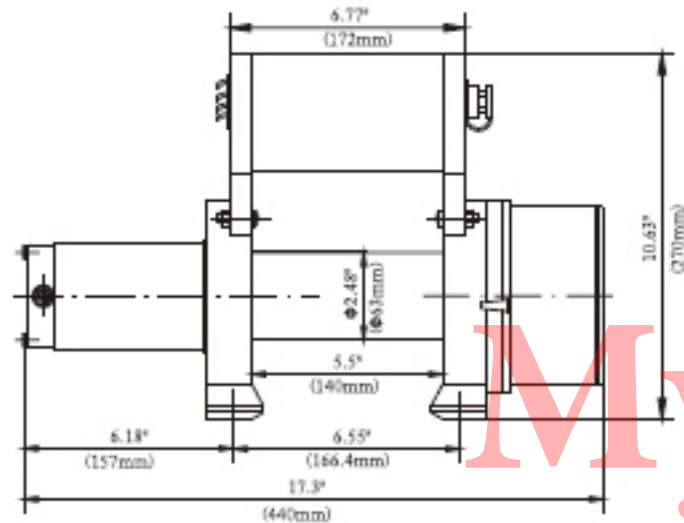
# 5000 lbs Electric Winch

EWP5000/ 5000U / 5000- 24V / 5000U- 24V  
 EWP5000-W / 5000U-W / 5000-W- 24V / 5000U-W- 24V

Tel/+86-28-88835485 Page/6

## Notice:

- 1) Do not use winch as a hoist, do not use for transportation of people.
- 2) Don't operate and spool under full load over one minute continuously.
- 3) While motor is over heating, please stop for a while to cool down.
- 4) Limited lifetime warranty.



## Line Pull And Rope Capacity In Layer

Layer	Rated line pull lbs (kgs)	Total rope on drum ft (m)
1	5000 (2268)	14.7 (4.5)
2	4200 (1905)	29.5 (9.0)
3	3700 (1678)	56.0 (17.0)
4	3200 (1452)	79.0 (24.0)

## Pull、 Speed、 Amps、 Volts (First layer)

Line pull lbs (kgs)	Line speed ft/min(m/min)		Current A	
	12V DC	24V DC	12V DC	24V DC
0	12.0 (3.7)	18.0 (5.5)	45	25
1000 (454)	10.0 (3.2)	16.0 (4.8)	90	55
3000 (1361)	7.5 (2.3)	11.5 (3.5)	150	110
5000 (2268)	5.0 (1.5)	5.3 (1.6)	230	180

## Specification:

Rated line pull	5000lbs (2268 kgs)
Motor:Permanent magnet	1.3 kw/1.8hp (12V) 1.5 kw/2.0hp (24V)
Gear reduction ratio	294:1(12V) /210:1 (24V)
Cable (Dia x L)	φ 1/4" x79'( φ6mm x 24m)
Drum size (Dia x L)	φ 2.48" x5.5"( φ63 x140mm)
Overall Dimensions	17.3" x7.1" x6.8"(440x180 x173mm)
Overall Dimensions	17.3" x7.1" x10.63"(440x180 x270mm) (Up-Setting Type)
Mounting bolt pattern	6.55" x4.5" (166.4 x114.3mm)
Weight	52.9lbs (24kgs)
Weight	56.2lbs (25.5kgs)(Up-Setting Type)



# 6000 lbs Electric Winch

Tel/+86-28-88835485 Page/7

EWP6000/ 6000U / 6000- 24V / 6000U- 24V  
EWP6000-W / 6000U-W /6000-W- 24V / 6000U-W- 24V

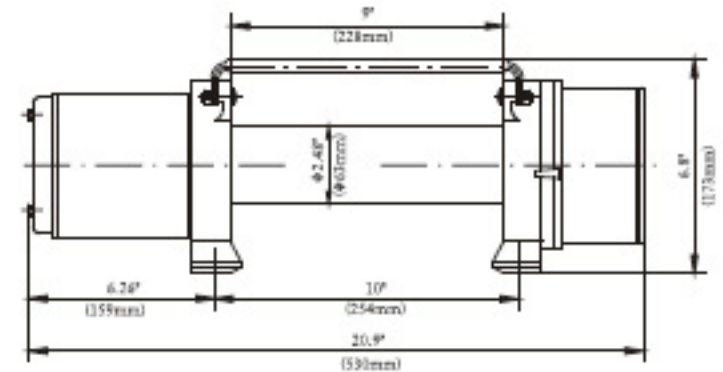
## Notice:

- 1) Do not use winch as a hoist, do not use for transportation of people.
- 2) Don't operate and spool under full load over one minute continuously.
- 3) While motor is over heating, please stop for a while to cool down.
- 4) Limited lifetime warranty.



## Specification:

Rated line pull	6000lbs (2722 kgs)
Motor:Permanent magnet	1.3 kw/1.8hp (12V) 1.5 kw/2.0hp (24V)
Gear reduction ratio	294:1(12V) /210:1 (24V)
Cable (Dia x L)	φ 9/32" x92'( φ 7.2mm x28m)
Drum size (Dia x L)	φ 2.48" x9"( φ 63 x228mm)
Overall Dimensions	20.9" x7.1" x6.8"(530 x180 x173mm)
Overall Dimensions	20.9" x7.1" x10.63"(530 x180 x270mm) (Up-Setting Type)
Mounting bolt pattern	10" x4.5" (254 x114.3mm)
Weight	61.7lbs (28kgs)
Weight	65.5lbs (29.7kgs)(Up-Setting Type)



## Line Pull And Rope Capacity In Layer

Layer	Rated line pull lbs (kgs)	Total rope on drum ft (m)
1	6000 (2722)	21.3 (6.5)
2	5000 (2268)	47.5 (14.5)
3	4200 (1905)	77.0 (23.5)
4	3700 (1678)	92.0 (28.0)

## Pull, Speed, Amps, Volts (First layer)

Line pull lbs (kgs)	Line speed ft/min(m/min)		Current A	
	12V DC	24V DC	12V DC	24V DC
0	12.0(3.7)	18.0(5.5)	45	25
2000 (907)	9.8 (3.0)	15.0(4.5)	100	65
4000(1814)	7.0 (2.1)	10.0(3.2)	210	120
6000(2722)	3.5 (1.1)	4.0 (1.2)	260	200



# 7000 lbs Electric Winch

EWP7000/ 7000U / 7000- 24V / 7000U- 24V  
 EWP7000-W / 7000U-W /7000-W- 24V / 7000U-W- 24V

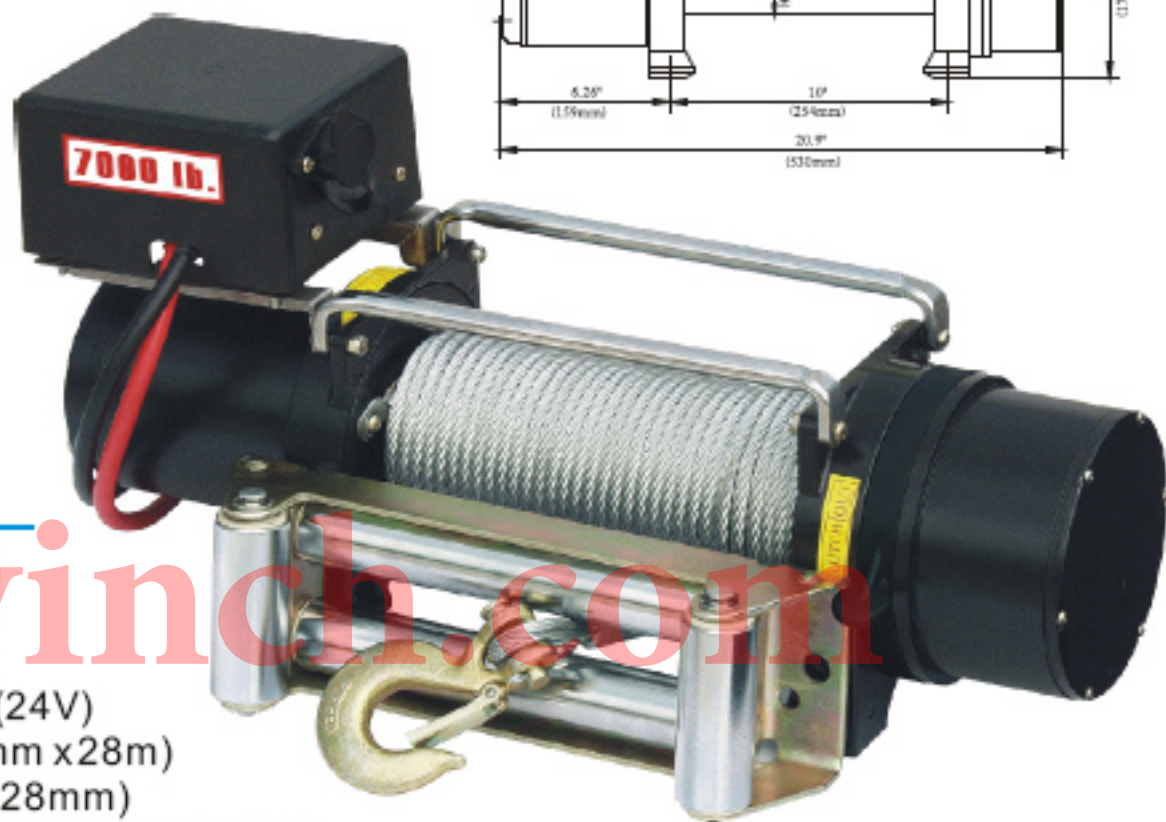
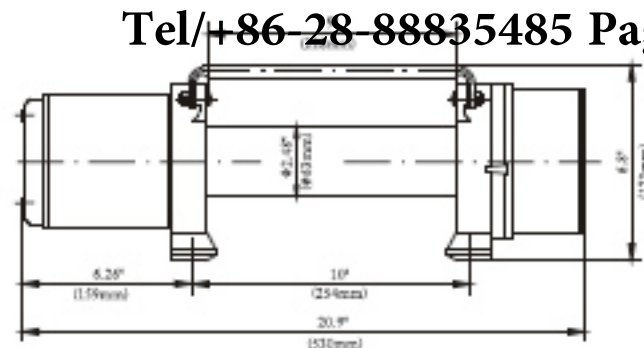
Tel/+86-28-88835485 Page/8

## Notice:

- 1) Do not use winch as a hoist, do not use for transportation of people.
- 2) Don't operate and spool under full load over one minute continuously.
- 3) While motor is over heating, please stop for a while to cool down.
- 4) Limited lifetime warranty.

## Specification:

Rated line pull	7000lbs (3175 kgs)
Motor:Permanent magnet	1.5 kw/2.0hp (12V) 1.7 kw/2.2hp (24V)
Gear reduction ratio	294:1(12V) /210:1 (24V)
Cable (Dia x L)	ϕ 9/32" x92'( ϕ 7.2mm x28m)
Drum size (Dia x L)	ϕ 2.48" x9"( ϕ 63 x228mm)
Overall Dimensions	20.9" x7.1" x6.8"(530 x180 x173mm)
Overall Dimensions	20.9" x7.1" x10.63"(530 x180 x270mm) (Up-Setting Type)
Mounting bolt pattern	10" x4.5" (254 x114.3mm)
Weight	65lbs (29kgs)
Weight	70lbs (31.7kgs)(Up-Setting Type)



## Line Pull And Rope Capacity In Layer

Layer	Rated line pull lbs (kgs)	Total rope on drum ft (m)
-------	------------------------------	------------------------------

1	7000 (3175)	21.3 (6.5)
2	5800 (2631)	47.5 (14.5)
3	4950 (2245)	77.0 (23.5)
4	4300 (1950)	92.0 (28.0)

## Pull、 Speed、 Amps、 Volts (First layer)

Line pull lbs (kgs)	Line speed ft/min(m/min)	Current A
------------------------	-----------------------------	--------------

	12V DC	12V DC
0	13.0(3.8)	30
2000 (907)	9.8 (3.0)	100
4000 (1814)	8.0 (2.5)	190





## 8000 lbs Electric Winch

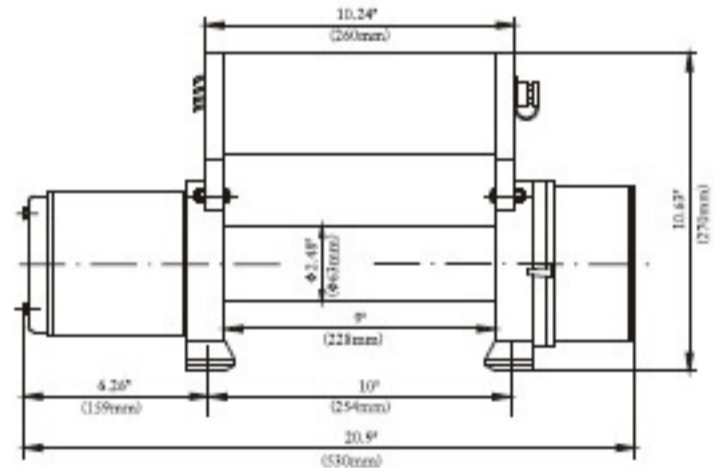
EWP8000/ 8000U / 8000- 24V / 8000U- 24V  
 EWP8000-W / 8000U-W / 8000-W- 24V / 8000U-W- 24V

**Notice:**

- 1) Do not use winch as a hoist, do not use for transportation of people.
- 2) Don't operate and spool under full load over one minute continuously.
- 3) While motor is over heating, please stop for a while to cool down.
- 4) Limited lifetime warranty.

**Specification:**

<b>Rated line pull</b>	8000lbs (3629 kgs)
<b>Motor:Permanent magnet</b>	1.6 kw/2.2hp (12V) 1.8 kw/2.4hp (24V)
<b>Gear reduction ratio</b>	210:1(12V) /150:1 (24V)
<b>Cable (Dia x L)</b>	φ 5/16" x92 '( φ 8mm x28m)
<b>Drum size (Dia x L)</b>	φ 2.48" x9"( φ 63 x228mm)
<b>Overall Dimensions</b>	20.9" x7.1" x6.8"(530 x180 x173mm)
<b>Overall Dimensions</b>	20.9" x7.1" x10.63"(530 x180 x270mm) (Up-Setting Type)
<b>Mounting bolt pattern</b>	10" x4.5" (254 x114.3mm)
<b>Weight</b>	68.3lbs (31kgs)
<b>Weight</b>	72lbs (32.7kgs)(Up-Setting Type)



**Line Pull And Rope Capacity In Layer**

Layer	Rated line pull lbs (kgs)	Total rope on drum ft (m)
1	8000 (3629)	19.6 (6.0)
2	6500 (2948)	42.6 (13.0)
3	5500 (2495)	68.9 (21.0)
4	4800 (2177)	92.0 (28.0)

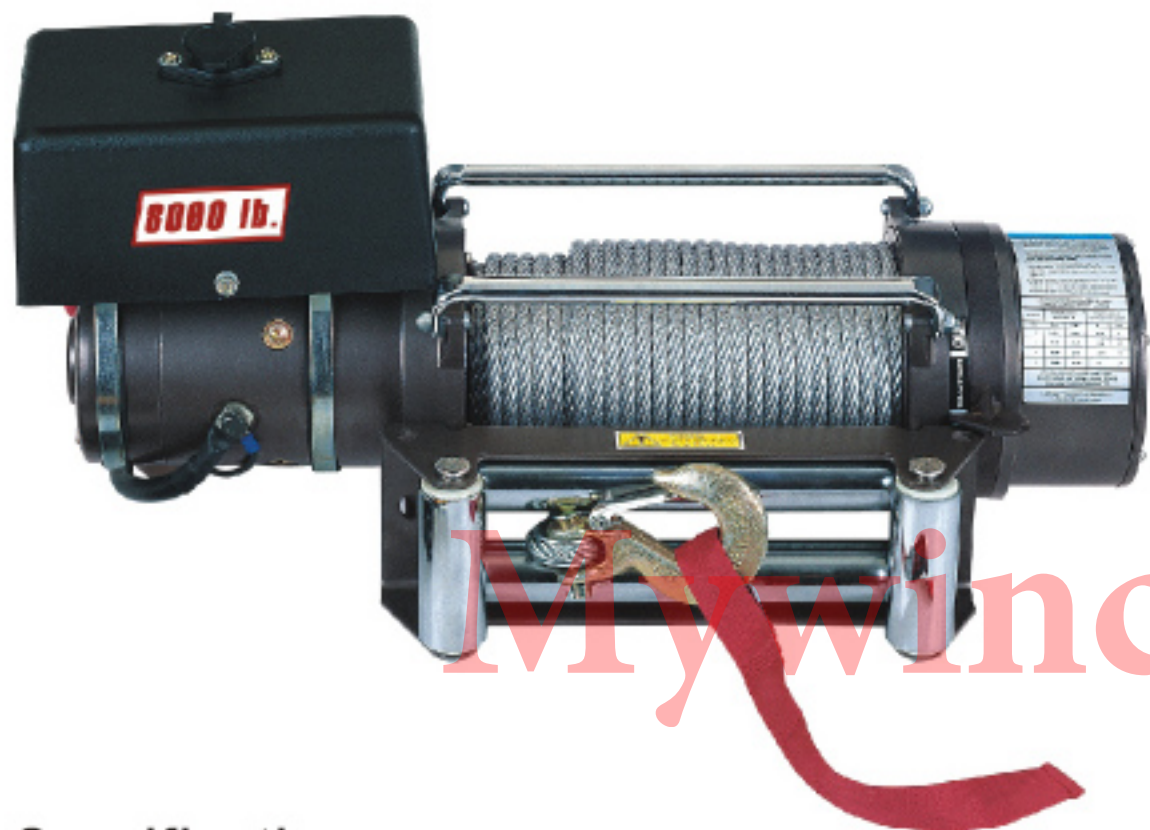
**Pull、 Speed、 Amps、 Volts (First layer)**

Line pull lbs (kgs)	Line speed ft/min(m/min)		Current A	
	12V DC	24V DC	12V DC	24V DC
0	13.0(3.9)	17.8(5.4)	40	30
2000 (907)	9.8 (3.0)	13.8(4.2)	110	60
4000(1814)	8.2 (2.5)	10.8(3.3)	190	110
6000(2722)	6.0 (1.8)	7.9 (2.4)	270	150
8000(3629)	4.3 (1.3)	5.6 (1.7)	350	240



# 8000 lbs Electric Winch

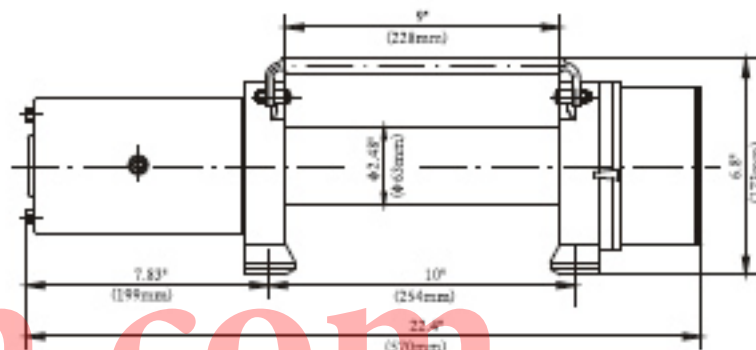
EWS8000/ 8000U / 8000- 24V / 8000U- 24V  
 EWS8000-W / 8000U-W /8000-W- 24V / 8000U-W- 24V



## Notice:

- 1) Do not use winch as a hoist, do not use for transportation of people.
- 2) Don't operate and spool under full load over one minute continuously.
- 3) While motor is over heating, please stop for a while to cool down.
- 4) Limited lifetime warranty.

Tel/+86-28-88835485 Page/10



## Line Pull And Rope Capacity In Layer

Layer	Rated line pull lbs (kgs)	Total rope on drum ft (m)
1	8000 (3629)	19.6 (6.0)
2	6500 (2948)	42.6 (13.0)
3	5500 (2495)	68.9 (21.0)
4	4800 (2177)	92.0 (28.0)

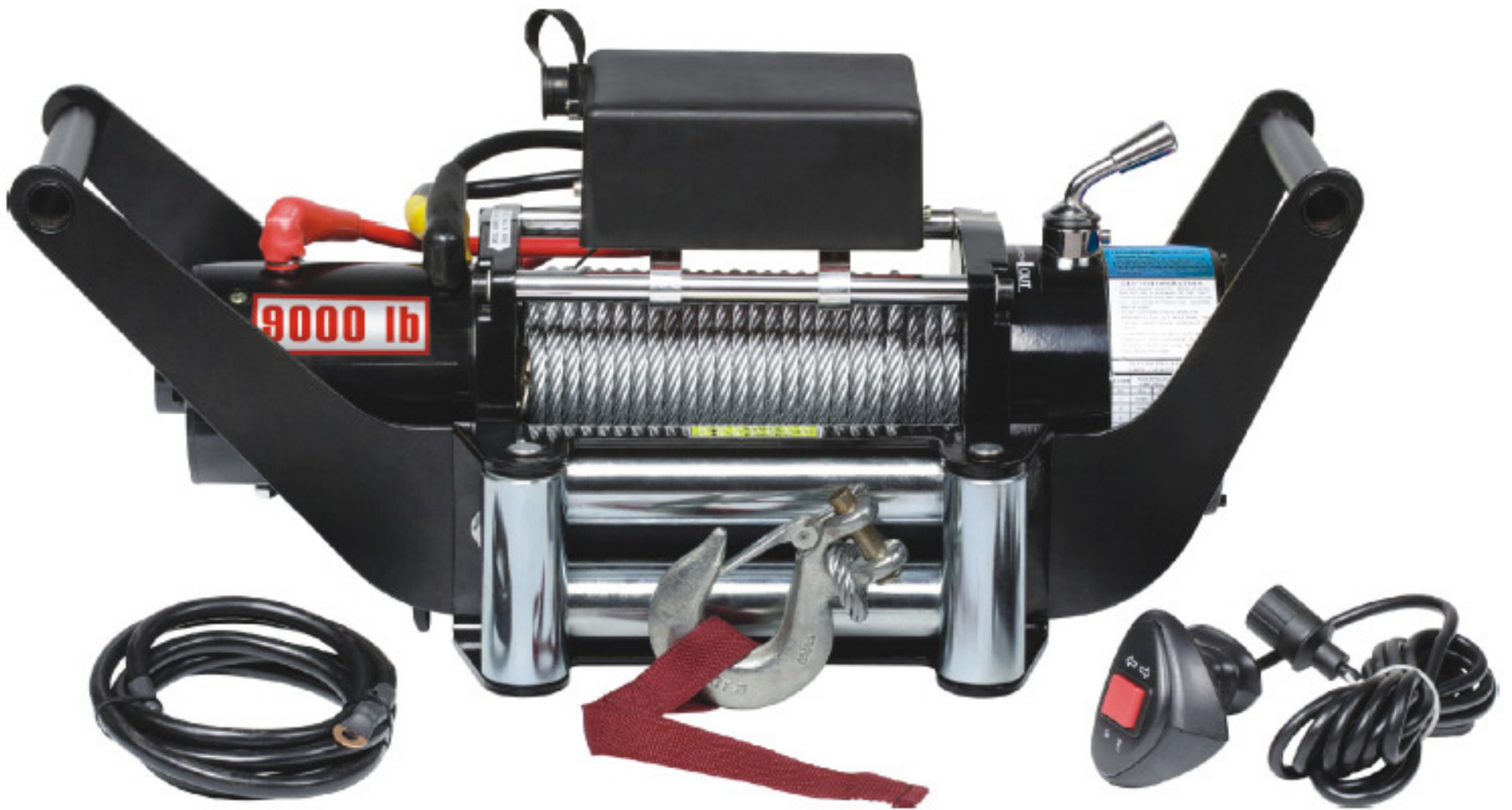
## Pull、 Speed、 Amps、 Volts (First layer)

Line pull lbs (kgs)	Line speed ft/min(m/min)		Current A	
	12V DC	24V DC	12V DC	24V DC
0	24.0(7.3)	35.0 (10.5)	80	50
2000 (907)	13.0(3.8)	19.0 (5.8)	150	90
4000(1814)	9.0 (2.7)	12.8 (3.9)	220	135
6000(2722)	7.0 (2.1)	10.0 (3.0)	270	170
8000(3629)	5.6 (1.7)	6.6 (2.0)	320	210

## Specification:

Rated line pull	8000lbs (3629 kgs)
Motor:Series Wound	2.7 kw/3.6hp (12V) 3.0 kw/4.0hp (24V)
Gear reduction ratio	210:1(12V) /150:1 (24V)
Cable (Dia xL)	φ5/16" x92'( φ8mm x28m)
Drum size (Dia xL)	φ2.48" x9"( φ63x228mm)
Overall Dimensions	22.4" x7.1" x6.8"(570x180 x173mm)
Overall Dimensions	22.4" x7.1" x10.63"(570 x180 x270mm) (Up-Setting Type)
Mounting bolt pattern	10" x4.5" (254 x114.3mm)
Weight	76.7lbs (34.8kgs)
Weight	80.5lbs (36.5kgs)(Up-Setting Type)





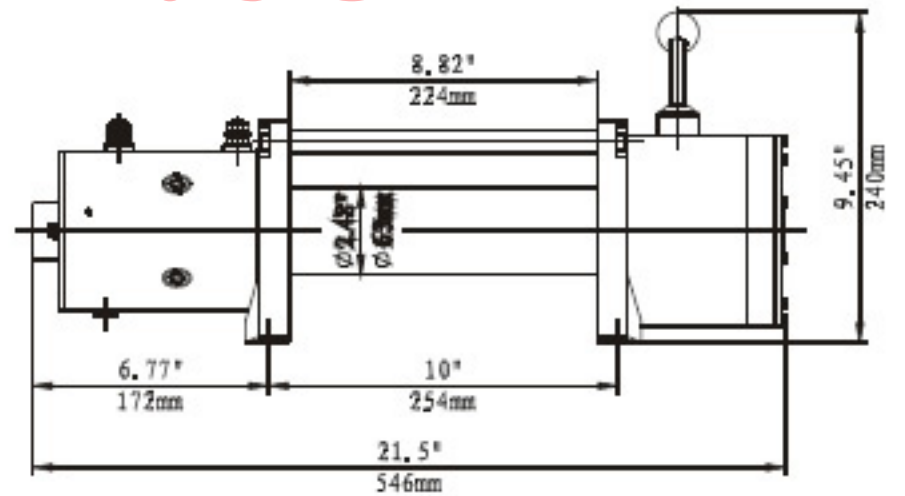
## 9000 lbs Electric Winch

EWS9000/ 9000U / 9000- 24V / 9000U- 24V  
 EWS9000-W / 9000U-W / 9000-W- 24V / 9000U-W-24V

Mywinch.com

### Notice:

- 1) Do not use winch as a hoist, do not use for transportation of people.
- 2) Don't operate and spool under full load over one minute continuously.
- 3) While motor is over heating, please stop for a while to cool down.
- 4) Limited lifetime warranty.



### Line Pull And Rope Capacity In Layer

Layer	Rated line pull lbs (kgs)	Total rope on drum ft (m)
1	9000 (4082)	18.0 (5.5)
2	7350 (3334)	39.4 (12.0)
3	6200 (2812)	68.9 (21.0)
4	5400 (2449)	92.0 (28.0)

### Specification:

Rated line pull	9000lbs (4082 kgs)
Motor: Series Wound	4.1kw/5.5hp(12V) 4.5kw/6.0hp(24V)
Gear train	3 Stage Planetary
Gear reduction ratio	265:1
Clutch	Sliding Ring Gear
Cable	φ5/16" x92'( φ8.3mm x28m)
Drum size (Dia xL)	φ2.48"x8.82" ( φ63x224mm)
Overall Dimensions	21.5" x6.3" x9.45" (546 x160 x240mm)
Mounting Bolt Pattern	10.00±0.015x4.50±0.010(254x114.3mm)
Weight	N.W . 84lbs (38kgs) G .W.94lbs (42.5kgs)

### Pull, Speed, Amps, Volts (First layer)

Line pull lbs (kgs)	Line speed ft/min(m/min)		Current A	
	12V DC	24V DC	12V DC	24V DC
0	17.0 (5.2)	23.0 (7.0)	80	40
2000 (907)	10.8 (3.3)	14.8 (4.5)	120	75
4000 (1814)	7.9 (2.4)	10.0 (3.2)	170	115
6000 (2722)	6.2 (1.9)	8.0 (2.5)	220	145
8000 (3629)	5.6 (1.7)	7.0 (2.1)	245	170
9000 (4082)	5.0 (1.5)	6.6 (2.0)	270	180

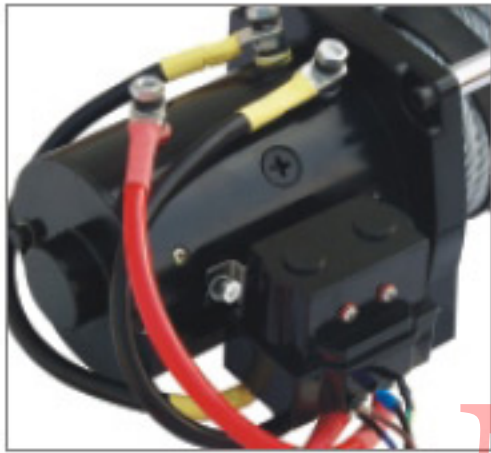
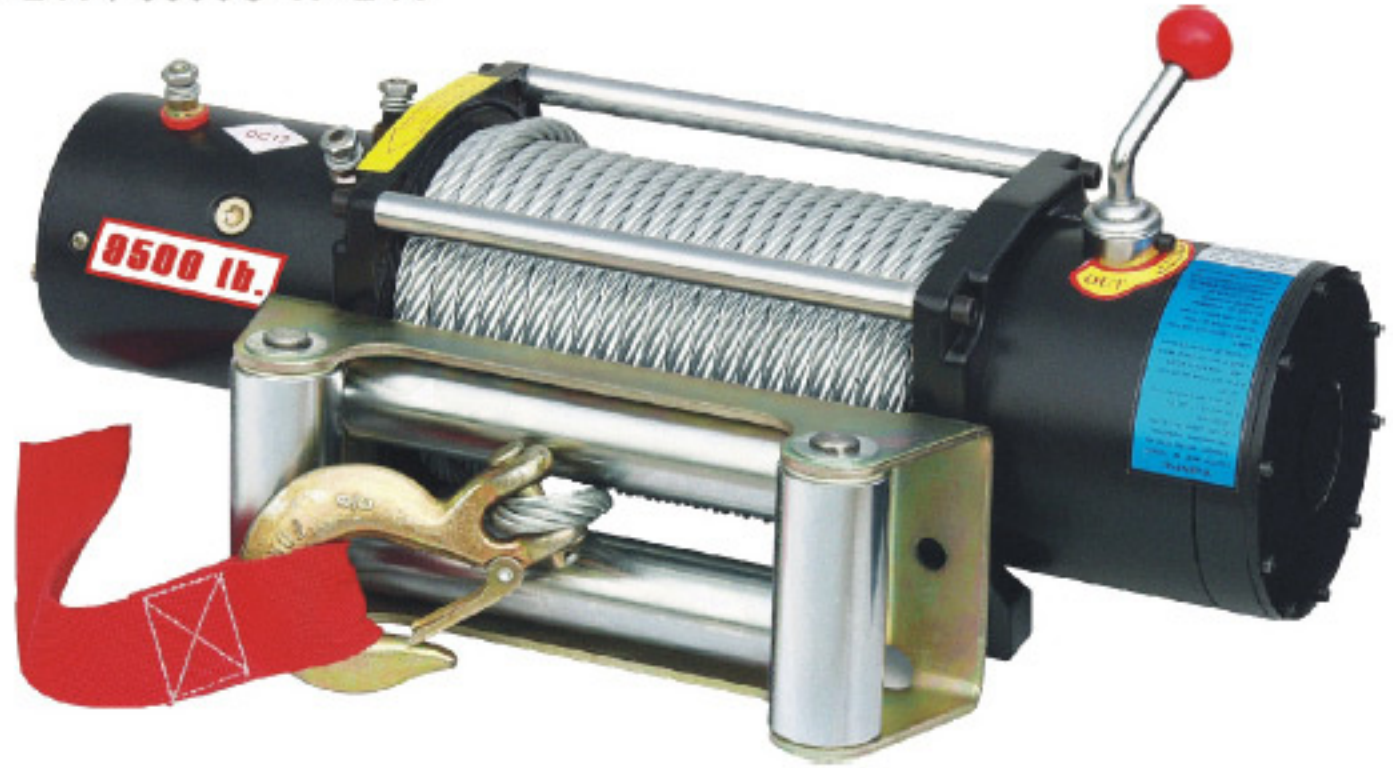


# 9500 lbs Electric Winch

EWS9500/ 9500U / 9500- 24V / 9500U- 24V  
 EWS9500-W / 9500U-W /9500-W- 24V / 9500U-W- 24V

**Notice:**

- 1) Do not use winch as a hoist, do not use for transportation of people.
- 2) Don't operate and spool under full load over one minute continuously.
- 3) While motor is over heating, please stop for a while to cool down.
- 4) Limited lifetime warranty.



Mywinch.com

**Specification:**

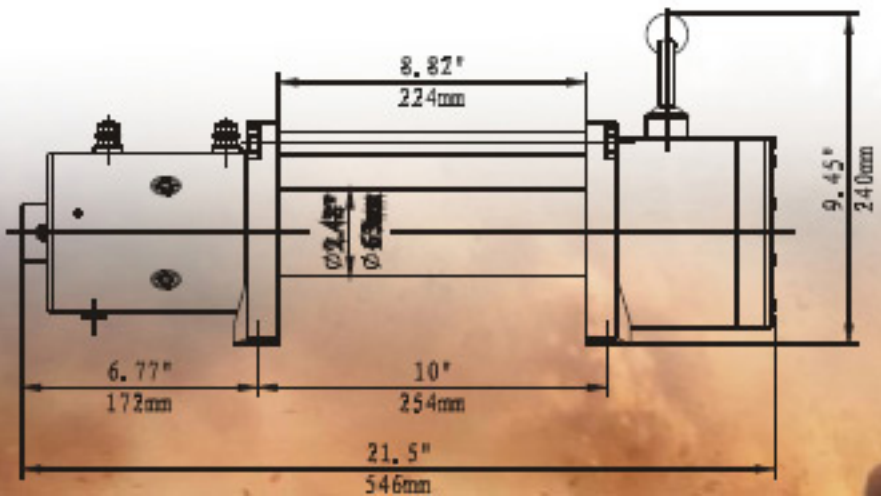
<b>Rated line pull</b>	9500lbs (4309 kgs)
<b>Motor:Series Wound</b>	4.1kw/5.5hp(12V) 4.5kw/6.0hp(24V)
<b>Gear train</b>	3 Stage Planetary
<b>Gear reduction ratio</b>	265:1
<b>Clutch</b>	Sliding Ring Gear
<b>Cable</b>	φ5/16" x92'( φ8.3mm x28m)
<b>Drum size (Dia xL)</b>	φ2.48"x8.82"( φ63x224mm)
<b>Overall Dimensions</b>	21.5" x6.3" x9.45" (546 x160 x240mm)
<b>Mounting Bolt Pattern</b>	10.00±0.015x4.50±0.010(254x114.3mm)
<b>Weight</b>	N.W . 84lbs (38kgs) G .W.94lbs (4 2.5kgs)

**Line Pull And Rope Capacity In Layer**

Layer	Rated line pull lbs (kgs)	Total rope on drum ft (m)
1	9500 (4309)	18.0 (5.5)
2	7700 (3493)	39.4 (12.0)
3	6500 (2948)	68.9 (21.0)
4	5600 (2540)	92.0 (28.0)

**Pull、 Speed、 Amps、 Volts (First layer)**

Line pull lbs (kgs)	Line speed ft/min(m/min)		Current A	
	12V DC	24V DC	12V DC	24V DC
0	29.5 (9.0)	41.7 (12.7)	70	50
2000 (907)	14.4 (4.4)	20.4 (6.2)	145	90
4000 (1814)	11.9 (3.6)	15.2 (4.63)	210	120
6000 (2722)	9.85 (3.0)	13.8 (4.2)	280	150
8000 (3629)	8.7 (2.65)	11.8 (3.6)	350	185
9500 (4309)	7.2 (2.2)	9.8 (2.2)	415	210





# 12000 lbs Electric Winch

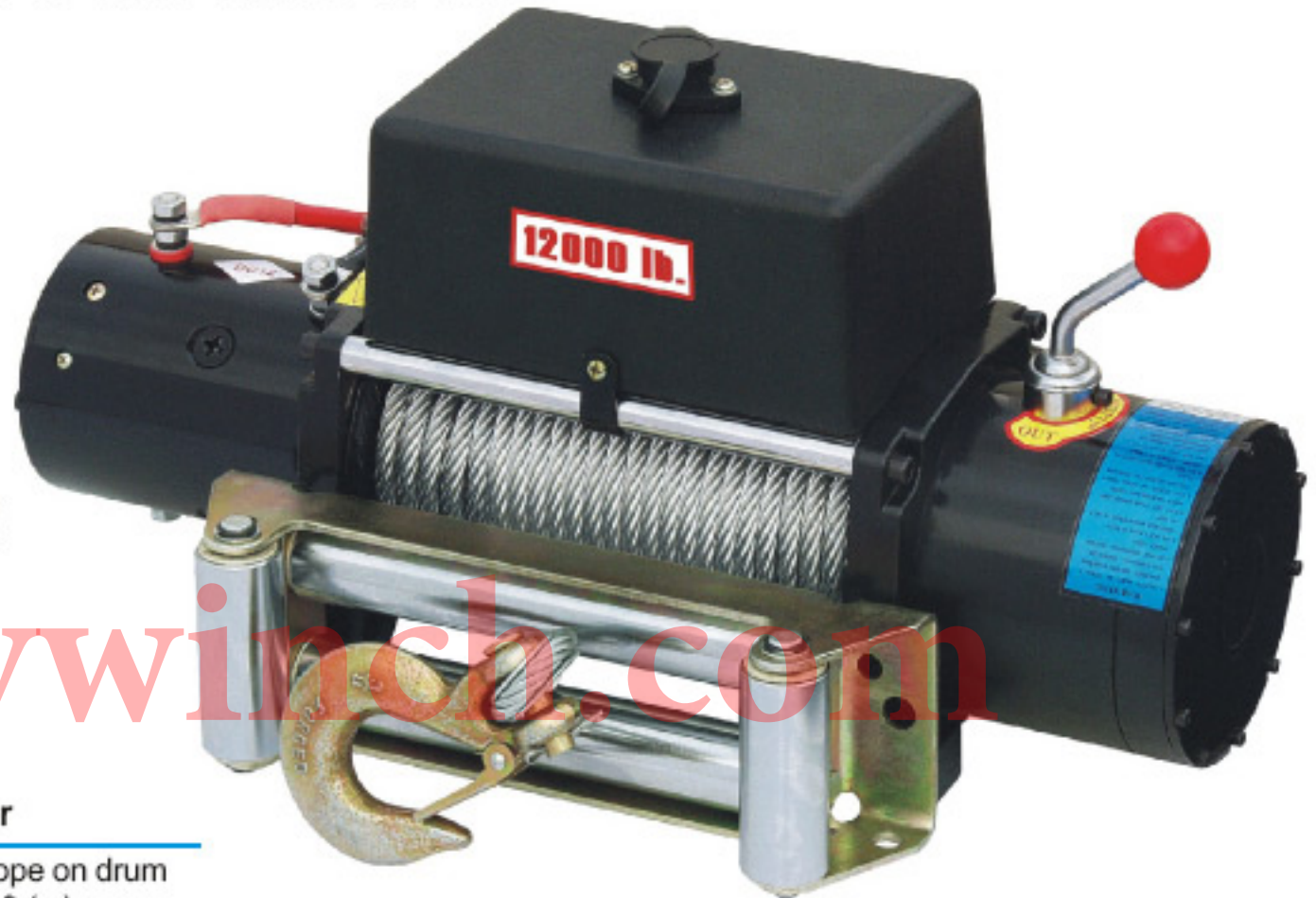
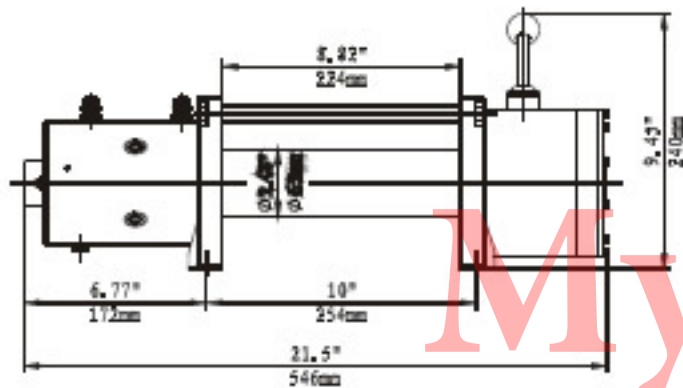
Tel/+86-28-88835485 Page/13

EWS12000/ 12000U / 12000- 24V / 12000U- 24V

EWS12000-W / 12000U-W /12000-W- 24V / 12000U-W- 24V

## Notice:

- 1) Do not use winch as a hoist, do not use for transportation of people.
- 2) Don't operate and spool under full load over one minute continuously.
- 3) While motor is over heating, please stop for a while to cool down.
- 4) Limited lifetime warranty.



## Line Pull And Rope Capacity In Layer

Layer	Rated line pull lbs (kgs)	Total rope on drum ft (m)
1	12000 (5443)	16.4 (5.0)
2	9500 (4309)	37.7 (11.5)
3	7900 (3583)	64.0 (19.5)
4	6700 (3039)	92.0 (28.0)

## Pull, Speed, Amps, Volts (First layer)

Line pull lbs (kgs)	Line speed ft/min(m/min)		Current A	
	12V DC	24V DC	12V DC	24V DC
0	23.5 (7.2)	26.4 (8.0)	65	45
2000 (907)	12.6 (3.8)	15.1 (4.6)	126	80
4000 (1814)	10.3 (3.1)	13.1 (4.0)	175	105
6000 (2722)	8.7 (2.65)	10.9 (3.3)	230	135
8000 (3629)	7.2 (2.2)	9.7 (2.95)	280	160
10000 (4536)	6.3 (1.9)	8.3 (2.5)	355	190
12000 (5443)	5.0 (1.5)	7.2 (2.2)	400	230

## Specification:

Rated line pull	12000lbs (5443 kgs)
Motor: Series Wound	4.3kw/5.7hp(12V) 4.6kw/6.1hp(24V)
Gear train	3 Stage Planetary
Gear reduction ratio	265:1
Clutch	Sliding Ring Gear
Cable	φ3/8" x92'( φ 9.4mm x28m)
Drum size (Dia x L)	φ2.48"x8.82"( φ 63x224mm)
Overall Dimensions	21.5" x6.3" x9.45" (546 x160 x240mm)
Mounting Bolt Pattern	10.00±0.015x4.50±0.010(254x114.3mm)
Weight	N.W . 88lbs (40kgs) G.W. 101.5lbs (46kgs)





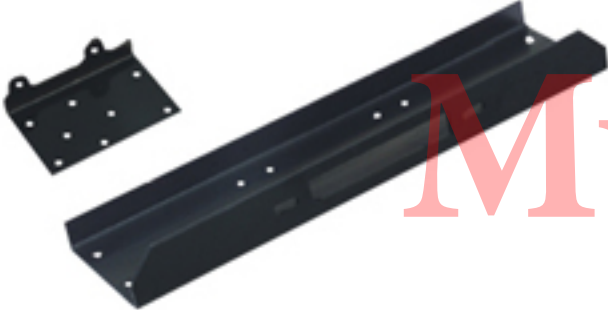
gew6000-s



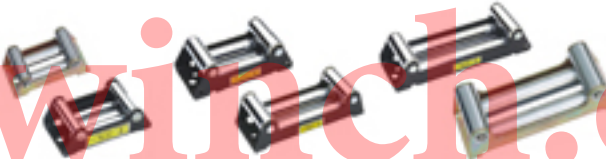
GEW800-S



Hooks.



Installation Stand



Roller Fairlead



Shackle.



Snatch Block



Solenoid control Box-1



Solenoid control Box-2





Solenoid control Box-3



switch-1



switch-2



switch-3



Well-being Strap



Wireless Remote Control.

中国汽车绞盘网(Mywinch.com)是中国大陆首创、迄今唯一的汽车绞盘专业网站，历经八年持续经营，为越野车、清障车、消防车、军用车、特种车及工程应用等客户提供手动绞盘、电动绞盘、液压绞盘和相关技术支持。

[Mywinch.com/Wholesale](http://Mywinch.com/Wholesale)



## OEM-TST 全系列电动绞盘供应清单

[Mywinch.com/Wholesale](http://Mywinch.com/Wholesale)

型号	规格	单价	包装尺寸	20尺柜装箱数	备注
EWP2000	12V	¥196.00	320*260*220mm	1500台	含安装板
EWP3000	12V	¥253.00	350*270*270mm	1076台	含安装板
EWP2000-L	12V	¥300.00	330*228*160mm	2000台	含导绳器、安装板
EWP2500-L	12V	¥330.00	330*228*160mm	2000台	含导绳器、安装板
EWP3000-L	12V	¥355.00	330*228*160mm	2000台	含导绳器、安装板
EWP5000	12V	¥1120.00	630*330*240mm	2000台	含导绳器
EWP6000	12V	¥1155.00	630*330*240mm	500台	含导绳器
EWP7000	12V	¥1210.00	630*330*240mm	500台	含导绳器
EWP8000	12V	¥1265.00	630*330*240mm	500台	含导绳器
EWS8000	12V	¥1650.00	630*330*240mm	500台	含导绳器
EWS9000	12V	¥1700.00	645*185*455mm	400台	含导绳器
EWS9500	12V	¥1780.00	645*185*455mm	400台	含导绳器
EWS10000	12V	¥1815.00	645*185*455mm	400台	含导绳器
EWS10000	12V	¥1830.00	645*185*455mm	400台	含导绳器
EWS12000	12V	¥1850.00	645*185*455mm	400台	含导绳器
滚柱式导绳器					
A (2000—3000)		¥18.00			
B (4000—8000)		¥110.00			
C (9000—12000)		¥130.00			
其他配件					
滑动组合钩 A (2000-3000)		¥12.00			
连接板 A (2000-3000)		¥18.00			
扣线滑轮		¥65.00			

注：送货 FOB 上海或宁波，代发国内任何城市：

1. 最小订量：EWP2000-3000 及配件批量 100 台（只）以上，其余规格 50 台以上；
2. 钢丝绳 CABLE 长度：3000LBS 以下是 9.15m，4000LBS 以上是 28m；可按客户需要加长，加长部分另外加价；
3. 5000 磅以上型号供应 24V 版本，在 12V 的基础上加 RMB28 元。
4. 包装尺寸 PACKING 有以下几种：

EWP2000(B):	320X260X220mm	20'柜	1500台
EWP3000:	350 X270X270mm	20'柜	1076台
EWP2000-L:	335X230X160mm	20'柜	1900台
EWP2000-3000:	350X270X270mm	20'柜	1000台
EWP4000-8000:	630X330X250mm	20'柜	500台
EWS9000-12000:	645X185X455mm	20'柜	400台