

www.ramsey.com — more complete than ever

# OFF-ROAD CATALOG

## RAMSEY WINCH

### HEAD FOR ADVENTURE™

#### INSIDE:

Self Recovery Winches  
Utility Winches  
Mounting Systems  
Winch Accessories  
and much more!



#### NEW TR5000

page 15



**NEW Synthetic Rope** page 17  
**NEW Winch Covers** page 20

<b>CHOOSING YOUR WINCH.....</b>	<b>3</b>
<b>PATRIOT SERIES.....</b>	<b>4 - 5</b>
<p>The Patriot Series is for the serious off-road enthusiast that demands the best. This winch series is not for the light-hearted, but for those individuals that rock crawl or trail ride to the extreme! The Patriot Series is available in a proven and efficient 3-stage planetary gear system from 6,000 lbs. to 15,000 lbs. pulling capacities. In addition, the Patriot Series all come with a powerful 5.5 HP series wound electric motor and a weather resistant fully integrated solenoid assembly.</p>	
<b>PATRIOT PROFILE SERIES.....</b>	<b>6 - 7</b>
<p>The Patriot Profile Series has all of the same features as the above Patriot Series, except the solenoid assembly is loose so it can be mounted remotely. The Patriot Profile Series is the perfect solution for those mounting systems that do not have a lot of space, or require the winch to be hidden inside the bumper. The Patriot Profile Series is available from 6,000 lbs. to 9,500 lbs. pulling capacities.</p>	
<b>REP SERIES.....</b>	<b>8 - 9</b>
<p>The REP Series is the perfect all around winch out on the market today. If you are a farmer, rancher, hunter, fisherman or trail rider the REP Series will meet all your requirements. The REP Series utilizes the proven and efficient 3-stage planetary gear system from 5,000 lbs. to 9,000 lbs pulling capacities. In addition, the REP Series comes with a low amp draw permanent magnet electric motor (the 9,000 lbs. and 8,000 lbs. have a series wound motor) for powerful pulling strength.</p>	
<b>QM SERIES.....</b>	<b>10 - 11</b>
<p>Have you ever wished that you could move your winch to the front or rear of your vehicle? Would you like to remove your winch to avoid theft or extreme weather conditions? Well, now you can with our QM (Quick Mount) Series. The QM Series are detachable winches with a rated line pull of 5,000 lbs. to 9,000 lbs. The QM Series incorporates the same performance and features as our Patriot and REP winch series.</p>	
<b>RE SERIES.....</b>	<b>12 - 13</b>
<p>Who wants BRUTE STRENGTH? The RE Series is the winch you need when you require absolute brute strength when winching. Winch users throughout the world have admired the exceptionally strong worm gear design and series wound electric motor of the RE Series. The RE Series is available in an 8,000 lbs. or 12,000 lbs. pulling capacity.</p>	
<b>BADGER SERIES.....</b>	<b>14</b>
<p>The Badger Series is the newest addition to the Ramsey family. We have combined the proven designs of the Patriot and REP Series and created the ultimate “general purpose” winch. Whether you need help with a trailer or farm application, or any other application that you need the pulling power of a winch, the Badger is here for you! The Badger Series has the proven and efficient 3-stage planetary gear system with a 2,500 lbs. pulling capacity.</p>	
<b>TR SERIES.....</b>	<b>15</b>
<p>For those who need a reliable trailer winch, look no further! The TR series has specific features incorporated in the design that makes this the best trailer winch on the market. Whether you haul vehicles, machine equipment or materials, the TR series has the strength and power for the job.</p>	
<b>WIRELESS REMOTE.....</b>	<b>16</b>
<b>RAMSEY ACCESSORIES.....</b>	<b>17 - 21</b>
<b>RAMSEY MOUNTING KITS.....</b>	<b>22 - 26</b>



Tradition of Performance



## Why Choose A Ramsey Winch?

All Ramsey designs evolve from field experience. Ramsey is the “Standard” in the towing and recovery market among those who count on a winch every day to earn a living! In fact, 9 out of 10 tow truck operators demand Ramsey over any other winch. The same industrial design practices are used in all of our self-recovery automotive winches.

## How Large Of A Winch Do I Need?

Choosing the right winch for your needs may seem complex, but it’s actually quite simple. Two pieces of information are required:

### Vehicle Weight

To calculate your vehicle’s Gross Vehicle Weight (GVW), start with your vehicle’s curb weight, then add the weight of the supplies and equipment you’ll typically be carrying.

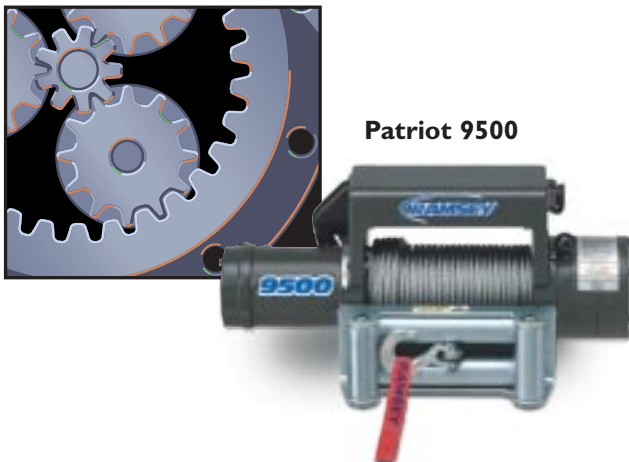
### Line Pull

The rated line pull of the winch must be high enough to pull your vehicle’s GVW while overcoming resistance encountered when you’re stuck or on an incline. Ramsey Winch recommends that you select a winch with a rated line pull at least 25% greater than your GVW.

## What Is The Difference Between Planetary Versus Worm Gear?

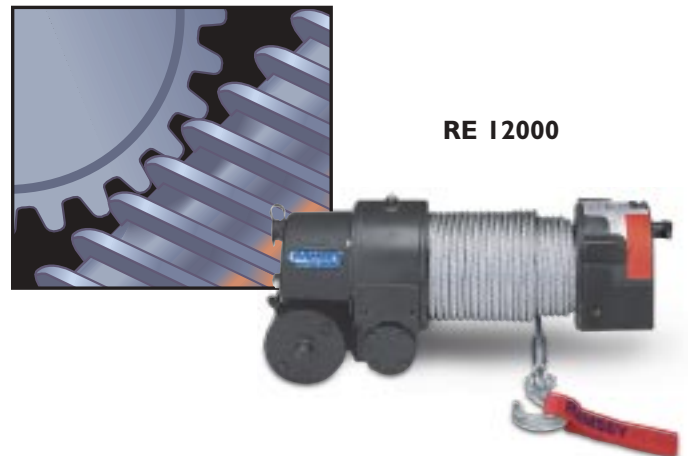
### Planetary Gear

The multiple gears found in planetary gear winches translate to greater pulling speed.



### Worm Gear

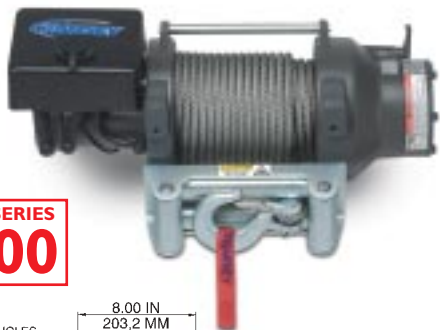
Consisting of a cylindrical worm and a typical round gear, worm gear winches offer brute strength.



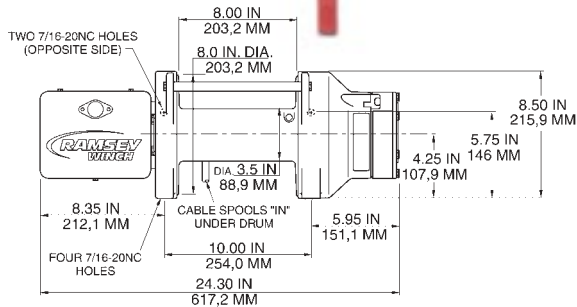


# PATRIOT SERIES

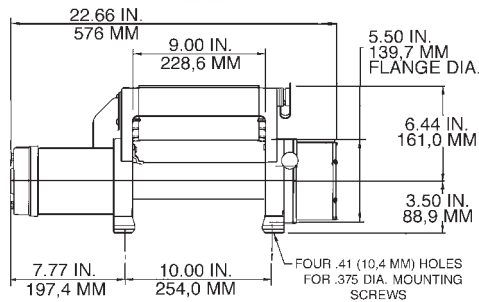
## Patriot 15000



**NEW**  
**PATRIOT SERIES**  
**15000**



## Patriot 9500



### Product Features-Patriot Series

- Efficient 5.5 HP 12V DC series wound electric reversible motor for increased pulling power
- Proven three-stage planetary gear system design for fast line speed
- Motor and solenoids are grounded directly to battery

- Strong automatic load-holding brake for strength
- Easy to use and verify engagement spring loaded pull and rotate clutch design for free spooling-Patriot 15000 only
- Cam action clutch disengages planetary gear system for free spooling-Patriot 9500, 8000, 6000
- Weather resistant fully integrated

- solenoid assembly
- The Patriot Series comes with either a 12 ft. wire pendant remote or the patent pending wireless remote
- 6 ft. (1.83 M) 2 gauge battery cables with connectors
- 4-way roller fairlead
- Limited lifetime warranty
- Made in the USA

### Specifications - Patriot 15000

Rated line pull . . . . . (single line) 15,000 lbs (6,800 kgs)  
 Gear reduction ratio . . . 251:1 (12V)  
 Motor . . . . . Series wound - 5.5 hp 12V DC  
 Overall dimensions . . . (LxVxH) 24.3" x 8.5" x 11"  
 (617 MM x 215 MM x 279 MM)  
 Drum size . . . . . Diameter 3.5" (88.9) Length 8" (203 MM)  
 Weight . . . . . 120 lbs. (54 kgs)  
 Cable supplied . . . . . 90 ft. (27.4 M) of 7/16" (11 MM) 6 x 25 galvanized EIPS wire rope with replaceable self locking clevis hook  
 Mounting bolt pattern . 10.00+ .015 IN x 4.50+ .015 IN (254.0 MM x 114.3 MM) Foot - 4 Threaded Holes  
 10.00+ .015 (254.0 MM) Side - 2 Threaded Holes

### Line Speed & Amp Draw - First Layer

Line Pull	lbs.	no load	4,000	8,000	10,000	12,000	15,000
	kgs	load	1,810	3,620	4,535	5,443	6800
Line Speed	fpm	24.9	10.9	7.2	6.0	5.4	3.9
	mpm	7.6	3.3	2.2	1.8	1.6	1.2
Motor Current	amps 12V	94	210	310	360	405	460

### Line Pull & Cable Capacity

Layer of Cable	1	2	3	4
Rated Line Pull per Layer	lbs. 15,000	12,200	10,300	9,000
	kgs 6,800	5,533	4,672	4,082
Cable Capacity per Layer	ft. 15	35	60	90
	m 4	10	18	27

- Patriot 15000 R 12V with 12 ft. wire pendant . . . . . **Part# 109159**  
 Patriot 15000 R 12V with wireless remote . . . . . **Part# 109160**  
 Patriot 15000 R 24V with 12 ft. wire pendant . . . . . **Part# 109172**

R - 4-way roller fairlead

### Specifications - Patriot 9500

Rated line pull . . . . . (single line) 9,500 lbs (4,309 kgs)  
 Gear reduction ratio . . . 138:1 (12V)  
 Motor . . . . . Series wound - 5.5 hp 12V DC  
 Overall dimensions . . . (LxVxH) 22.66" x 6.12" x 9.94"  
 (576 MM x 156 MM x 252 MM)  
 Drum size . . . . . Diameter 2.5" (63 MM) Length 9" (228 MM)  
 Weight . . . . . 93 lbs. (42 kgs)  
 Cable supplied . . . . . 105 ft. (31.8 M) of 5/16" (8 MM) galvanized aircraft cable with replaceable clevis hook  
 Mounting bolt pattern . 10.00+ .015 IN x 4.50+ .015 IN (254.0 MM x 114.3 MM)

### Line Speed & Amp Draw - First Layer

Line Pull	lbs.	no load	2,000	4,000	6,000	8,000	9,500
	kgs	load	900	1,810	2,720	3,620	4,309
Line Speed	fpm	35.4	16.7	12.7	10.6	9.0	7.8
	mpm	10.7	5.1	3.8	3.2	2.7	2.3
Motor Current	amps 12V	97	180	260	335	395	430

### Line Pull & Cable Capacity

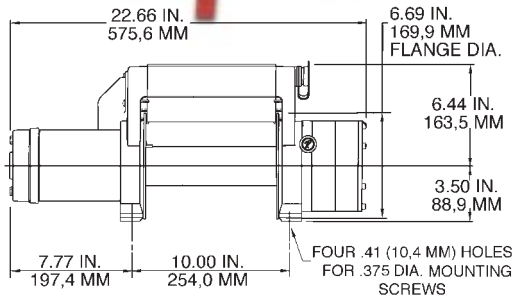
Layer of Cable	1	2	3	4	5
Rated Line Pull per Layer	lbs. 9,500	7,780	6,600	5,725	5,050
	kgs 4,309	3,528	2,993	2,596	2,290
Cable Capacity per Layer	ft. 15	35	60	90	105
	m 4	10	18	27	36

- Patriot 9500 R 12V with 12 ft. wire pendant . . . . . **Part# 109153**  
 Patriot 9500 R 12V with wireless remote . . . . . **Part# 109154**  
 Patriot 9500 R 24V with 12 ft. wire pendant . . . . . **Part# 109171**

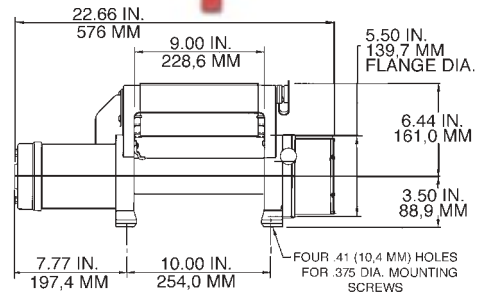
R - 4-way roller fairlead

Note: Fairlead does not attach directly to winch.

## Patriot 8000



## Patriot 6000



### Product Features-Patriot Series

- Efficient 5.5 HP 12V DC series wound electric reversible motor for increased pulling power
- Proven three-stage planetary gear system design for fast line speed
- Motor and solenoids are grounded directly to battery

- Strong automatic load-holding brake for strength
- Cam action clutch disengages planetary gear system for free spooling-Patriot 9500, 8000, 6000
- Weather resistant fully integrated solenoid assembly

- The Patriot Series comes with either a 12 ft. wire pendant remote or the patent pending wireless remote
- 6 ft. (1.83 M) 2 gauge battery cables with connectors
- 4-way roller fairlead
- Limited lifetime warranty
- Made in the USA

### Specifications - Patriot 8000

Rated line pull . . . . . (single line) 8,000 lbs (3,620 kgs)  
 Gear reduction ratio . . . 126:1 (12V)  
 Motor . . . . . Series wound - 5.5 hp 12V DC  
 Overall dimensions . . . . (LxVxH) 22.66" x 6.12" x 9.94"  
 (576 MM x 156 MM x 252 MM)  
 Drum size . . . . . Diameter 2.5" (63 MM) Length 9" (228 MM)  
 Weight . . . . . 91 lbs. (41 kgs)  
 Cable supplied . . . . . 95 ft. (29 M) of 5/16" (8 MM) galvanized aircraft cable with replaceable clevis hook  
 Mounting bolt pattern . . 10.00 + - .015 IN x 4.50 + - .015 IN (254.0 MM x 114.3 MM)

### Line Speed & Amp Draw - First Layer

Line Pull	lbs.	no load	2,000	4,000	6,000	8,000
	kgs		900	1,810	2,720	3,620
Line Speed	fpm	35	18	13	10	8
	mpm	10.6	5.5	3.9	3.0	2.4
Motor Current	amps 12V	95	210	270	355	420

### Line Pull & Cable Capacity

Layer of Cable		1	2	3	4
Rated Line Pull per Layer	lbs.	8,000	6,550	5,540	4,800
	kgs	3,629	2,971	2,513	2,177
Cable Capacity per Layer	ft.	15	40	70	95
	m	4	12	21	28

Patriot 8000 R 12V with 12 ft. wire pendant . . . . . **Part# 109155**  
 Patriot 8000 R 12V with wireless remote . . . . . **Part# 109156**  
 Patriot 8000 R 24V with 12 ft. wire pendant . . . . . **Part# 109170**

R - 4-way roller fairlead

Note: Fairlead does not attach directly to winch.

### Specifications - Patriot 6000

Rated line pull . . . . . (single line) 6,000 lbs (2,720 kgs)  
 Gear reduction ratio . . . 90:1 (12V)  
 Motor . . . . . Series wound - 5.5 hp 12V DC  
 Overall dimensions . . . . (LxVxH) 22.66" x 6.12" x 9.94"  
 (576 MM x 156 MM x 252 MM)  
 Drum size . . . . . Diameter 2.5" (63 MM) Length 9" (228 MM)  
 Weight . . . . . 84 lbs. (38 kgs)  
 Cable supplied . . . . . 100 ft. (30.5 M) of 1/4" (6 MM) galvanized aircraft cable with replaceable clevis hook  
 Mounting bolt pattern . . 10.00 + - .015 IN x 4.50 + - .015 IN (254.0 MM x 114.3 MM)

### Line Speed & Amp Draw - First Layer

Line Pull	lbs.	no load	1,000	3,000	5,000	6,000
	kgs		450	1,350	2,260	2,720
Line Speed	fpm	45	23	20	14	12
	mpm	13.7	7.0	6.1	4.3	3.6
Motor Current	amps 12V	100	200	270	350	405

### Line Pull & Cable Capacity

Layer of Cable		1	2	3	4
Rated Line Pull per Layer	lbs.	6,000	5,075	4,400	3,880
	kgs	2,722	2,302	1,996	1,760
Cable Capacity per Layer	ft.	20	50	80	100
	m	6	15	24	30

Patriot 6000 R 12V with 12 ft. wire pendant . . . . . **Part# 109157**  
 Patriot 6000 R 12V with wireless remote . . . . . **Part# 109158**  
 Patriot 6000 R 24V with 12 ft. wire pendant . . . . . **Part# 109169**  
 Patriot 6000 R 12V CE with 12 ft. wire pendant . . . . **Part# 109176**

R - 4-way roller fairlead

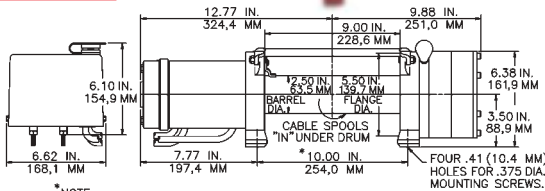


# PATRIOT PROFILE SERIES

## Patriot Profile 9500



**NEW**  
PROFILE SERIES  
**9500**

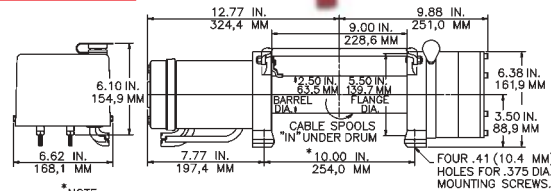


\*NOTE:  
THE FOUR .41 (10.4 MM) DIAMETER MOUNTING HOLES MUST BE IN  
A 10.00 ±.015 X 4.50 ±.015 (254.0 X 114.3 MM) RECTANGULAR PATTERN.

## Patriot Profile 9000



**NEW**  
PROFILE SERIES  
**9000**



\*NOTE:  
THE FOUR .41 (10.4 MM) DIAMETER MOUNTING HOLES MUST BE IN  
A 10.00 ±.015 X 4.50 ±.015 (254.0 X 114.3 MM) RECTANGULAR PATTERN.

### Product Features-Patriot Profile Series

- Efficient 5.5 HP\* 12V DC series wound electric reversible motor for increased pulling power
- Proven three-stage planetary gear system design for fast line speed
- Motor and solenoids are grounded directly to battery
- Strong automatic load-holding brake for strength
- Cam action clutch disengages planetary gear system for free spooling
- Weather resistant solenoid assembly
- The Patriot Profile Series comes with either a 12 ft. wire pendant remote or the patent pending wireless remote
- 6 ft. (1.83 M) 2 gauge battery cables with connectors
- 4-way roller fairlead
- Limited lifetime warranty
- Made in the USA

\* Patriot Profile 9000 uses a 4.4 hp motor

### Specifications - Patriot Profile 9500 Series

Rated line pull . . . . . (single line) 9,500 lbs (4,309 kgs)  
 Gear reduction ratio . . . 138:1 (12V)  
 Motor . . . . . Series wound - 5.5 hp 12V DC  
 Overall dimensions . . . . (LxWxH) 22.65" x 6.62" x 6.10"  
 (575.4 MM x 168.1 MM x 154.9 MM)  
 Drum size . . . . . Diameter 2.5" (63 MM) Length 9" (228 MM)  
 Weight . . . . . 92 lbs. (41.7 kgs)  
 Cable supplied . . . . . 105 ft. (31.8 M) of 5/16" (8 MM) galvanized aircraft cable with replaceable clevis hook  
 Mounting bolt pattern . . . 10.00 + - .015 IN x 4.50 + - .015 IN (254.0 MM x 114.3 MM)

### Line Speed & Amp Draw - First Layer

Line Pull	lbs.	no load	2,000	4,000	6,000	8,000	9,500
	kgs	load	900	1,810	2,720	3,620	4,309
Line Speed	fpm		35.4	16.7	12.7	10.6	9.0
	mpm		10.7	5.1	3.8	3.2	2.7
Motor Current	amps	12V	97	180	260	335	395
							430

### Line Pull & Cable Capacity

Layer of Cable		1	2	3	4	5
Rated Line Pull	lbs.	9,500	7,780	6,600	5,725	5,050
	kgs	4,309	3,528	2,993	2,596	2,290
Cable Capacity per Layer	ft.	15	35	60	90	105
	m	4	10	18	27	32

Patriot Profile 9500 R 12V with 12 ft. wire pendant . . **Part# 109167**  
 Patriot Profile 9500 R 12V with wireless remote . . . **Part# 109168**  
 Patriot Profile 9500 R 24V with 12 ft. wire pendant . . **Part# 109175**  
 Patriot Profile 9500 R 12V CE with 12 ft. wire pendant . **Part# 109180**  
 R - 4-way roller fairlead

Note: Fairlead does not attach directly to winch.

### Specifications - Patriot Profile 9000 Series

Rated line pull . . . . . (single line) 9,000 lbs. (4,070 kgs)  
 Gear reduction ratio . . . 138:1 (12V)  
 Motor . . . . . Series wound - 4.4 hp 12V DC  
 Overall dimensions . . . . (LxWxH) 22.65" x 6.62" x 6.10"  
 (575.4 MM x 168.1 MM x 154.9 MM)  
 Drum size . . . . . Diameter 2.5" (63 MM) Length 9" (228 MM)  
 Weight . . . . . 92 lbs. (41.7 kgs)  
 Cable supplied . . . . . 105 ft. (31.8 M) of 5/16" (8 MM) galvanized aircraft cable with replaceable clevis hook  
 Mounting bolt pattern . . . 10.00 + - .015 IN x 4.50 + - .015 IN (254.0 MM x 114.3 MM)

### Line Speed & Amp Draw - First Layer

Line Pull	lbs.	no load	2,000	4,000	6,000	9,000
	kgs	load	900	1,810	2,720	4,070
Line Speed	fpm		29	15	11	9
	mpm		8.8	4.6	3.4	2.7
Motor Current	amps	12V	90	190	245	315
						400

### Line Pull & Cable Capacity

Layer of Cable		1	2	3	4	5
Rated Line Pull	lbs.	9,000	7,300	6,200	5,400	4,700
	kgs	4,070	3,300	2,800	2,440	2,130
Cable Capacity per Layer	ft.	15	40	70	95	105
	m	4	12	21	28	32

Patriot Profile 9000 R 12V with 12 ft. wire pendant . . **Part# 109165**  
 Patriot Profile 9000 R 12V with wireless remote . . . **Part# 109166**  
 R - 4-way roller fairlead

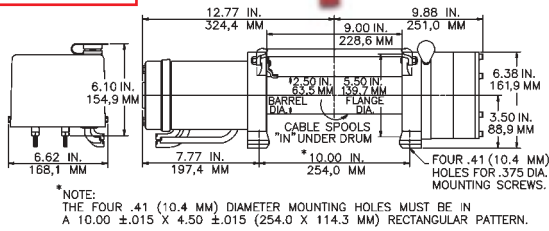
# PATRIOT PROFILE SERIES



## Patriot Profile 8000



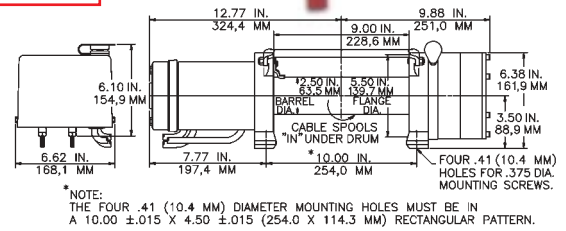
**NEW**  
PROFILE SERIES  
**8000**



## Patriot Profile 6000



**NEW**  
PROFILE SERIES  
**6000**



### Product Features-Patriot Profile Series

- Efficient 5.5 HP 12V DC series wound electric reversible motor for increased pulling power
- Proven three-stage planetary gear system design for fast line speed
- Motor and solenoids are grounded directly to battery
- Strong automatic load-holding brake for strength
- Cam action clutch disengages planetary gear system for free spooling
- Weather resistant solenoid assembly
- The Patriot Profile Series comes with either a 12 ft. wire pendant remote or the patent pending wireless remote
- 6 ft. (1,83 M) 2 gauge battery cables with connectors
- 4-way roller fairlead
- Limited lifetime warranty
- Made in the USA

### Specifications - Patriot Profile 8000 Series

Rated line pull . . . . . (single line) 8,000 lbs (3,620 kgs)  
 Gear reduction ratio . . . 126:1 (12V)  
 Motor . . . . . Series wound - 5.5 hp 12V DC  
 Overall dimensions . . . . (LxVxH) 22.65" x 6.62" x 6.10"  
 (575.4 MM x 168.1 MM x 154.9 MM)  
 Drum size . . . . . Diameter 2.5" (63 MM) Length 9" (228 MM)  
 Weight . . . . . 75 lbs. (34 kgs)  
 Cable supplied . . . . . 95 ft. (29 M) of 5/16" (8 MM) galvanized aircraft cable with replaceable clevis hook  
 Mounting bolt pattern . . 10.00 + - .015 IN x 4.50 + - .015 IN (254.0 MM x 114.3 MM)

### Line Speed & Amp Draw - First Layer

Line Pull	lbs.	no	2,000	4,000	6,000	8,000
	kgs	load	900	1,810	2,720	3,620
Line Speed	fpm		35	18	13	10
	mpm		10.6	5.5	3.9	3.0
Motor Current	amps	12V	95	210	270	355

### Line Pull & Cable Capacity

Layer of Cable		1	2	3	4
Rated Line Pull per Layer	lbs.	8,000	6,550	5,540	4,800
	kgs	3,629	2,971	2,513	2,177
Cable Capacity per Layer	ft.	15	40	70	95
	m	4	12	21	28

Patriot Profile 8000 R 12V with 12 ft. wire pendant . **Part# 109163**  
 Patriot Profile 8000 R 12V with wireless remote . . . **Part# 109164**  
 Patriot Profile 8000 R 24V with 12 ft. wire pendant . **Part# 109174**  
 Patriot Profile 8000 R 12V CE with 12 ft. wire pendant **Part# 109179**

R - 4-way roller fairlead

Note: Fairlead does not attach directly to winch.

### Specifications - Patriot Profile 6000 Series

Rated line pull . . . . . (single line) 6,000 lbs (2,720 kgs)  
 Gear reduction ratio . . . 90:1 (12V)  
 Motor . . . . . Series wound - 5.5 hp 12V DC  
 Overall dimensions . . . . (LxVxH) 22.65" x 6.62" x 6.10"  
 (575.4 MM x 168.1 MM x 154.9 MM)  
 Drum size . . . . . Diameter 2.5" (63 MM) Length 9" (228 MM)  
 Weight . . . . . 65 lbs. (29.5 kgs)  
 Cable supplied . . . . . 100 ft. (30.5 M) of 1/4" (6 MM) galvanized aircraft cable with replaceable clevis hook  
 Mounting bolt pattern . . 10.00 + - .015 IN x 4.50 + - .015 IN (254.0 MM x 114.3 MM)

### Line Speed & Amp Draw - First Layer

Line Pull	lbs.	no	1,000	3,000	5,000	6,000
	kgs	load	450	1,350	2,260	2,720
Line Speed	fpm		45	23	20	14
	mpm		13.7	7.0	6.1	4.3
Motor Current	amps	12V	100	200	270	350

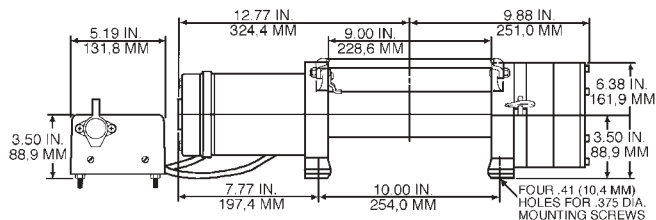
### Line Pull & Cable Capacity

Layer of Cable		1	2	3	4
Rated Line Pull per Layer	lbs.	6,000	5,075	4,400	3,880
	kgs	2,722	2,302	1,996	1,760
Cable Capacity per Layer	ft.	20	50	80	100
	m	6	15	24	30

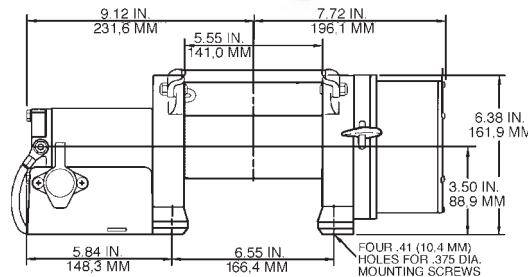
Patriot Profile 6000 R 12V with 12 ft. wire pendant . . . **Part# 109161**  
 Patriot Profile 6000 R 12V with wireless remote . . . . . **Part# 109162**  
 Patriot Profile 6000 R 24V with 12 ft. wire pendant . . . **Part# 109173**  
 Patriot Profile 6000 R 12V CE with 12 ft. wire pendant . **Part# 109178**

R - 4-way roller fairlead

## REP 9000



## REP 5000



### Product Features-REP Series

- Proven three-stage planetary gear system design for fast line speed
- Motor and solenoids are grounded directly to battery
- Strong automatic load-holding brake for strength
- Cam action clutch disengages planetary gear system for free spooling
- Weather resistant solenoid assembly
- 12 ft. wire pendant remote
- 6 ft. (1.83 M) 2 gauge battery cables with connectors
- 4-way roller fairlead
- Limited lifetime warranty
- Made in the USA

### Specifications - REP 9000

Rated line pull . . . . . (single line) 9,000 lbs. (4,070 kgs)  
 Gear reduction ratio . . 138:1 (12V) (24V)  
 Motor . . . . . Series wound - 4.8 hp (12V) – 2.5 hp (24V) DC  
 Overall dimensions . . . (LxVxH) 22.65" x 6.12" x 6.38"  
 (575 MM x 156 MM x 162 MM)  
 Drum size . . . . . Diameter 2.5" (63 MM) Length 9" (228 MM)  
 Weight . . . . . 92 lbs. (41.7 kgs)  
 Cable supplied . . . . . 95 ft. (29 M) of 5/16" (8 MM) galvanized aircraft cable with replaceable clevis hook  
 Mounting bolt pattern . 10.00 + - .015 IN x 4.50 + - .015 IN (254.0 MM x 114.3 MM)

*Note: 24V models have different dimensions. Consult factory.*

### Line Speed & Amp Draw – First Layer

Line Pull	lbs.	no load	2,000	4,000	6,000	9,000	
	kgs	load	900	1,810	2,720	4,070	
Line Speed	fpm	12V	33	16.7	12.7	10.6	8.0
		24V	25	15	11	9	7
	mpm	12V	10.0	5.1	3.9	3.2	2.4
		24V	7.6	4.5	3.3	2.7	2.1
Motor Current	amps	12V	97	180	260	335	420
		24V	35	75	110	140	175

### Line Pull & Cable Capacity

Layer of Cable		1	2	3	4
Rated Line Pull per Layer	lbs.	9,000	7,300	6,200	5,400
	kgs	4,070	3,300	2,800	2,440
Cable Capacity per Layer	ft.	15	40	70	95
	m	4	12	21	28

REP 9000 R 12V . . . . . **Part# 111038**  
 REP 9000 R 24V . . . . . **Part# 110976**  
 REP 9000 R 12V CE . . . . . **Part# 111072**  
 REP 9000 R 24V CE . . . . . **Part# 111070**  
 R - 4-way roller fairlead

**Note: Fairlead does not attach directly to winch.**

### Specifications - REP 5000

Rated line pull . . . . . (single line) 5,000 lbs. (2,260 kgs)  
 Gear reduction ratio . . 294:1 (12V) – 210:1 (24V)  
 Motor . . . . . Permanent magnet 1.3 hp (12V) – 1.9 hp (24V) DC  
 Overall dimension . . . (LxVxH) 16.84" x 6.00" x 6.38"  
 (428 MM x 152 MM x 162 MM)  
 Drum size . . . . . Diameter 2.5" (63 MM) Length 5.5" (140 MM)  
 Weight . . . . . 60 lbs. (27 kgs)  
 Cable supplied . . . . . 80 ft. (24 M) of 1/4" (6MM) galvanized aircraft cable with replaceable clevis hook  
 Mounting bolt pattern . 6.55 + - .015 IN x 4.50 + - .015 IN (166.4 MM x 114.3 MM)

*Note: 24V models have different dimensions. Consult factory.*

### Line Speed & Amp Draw – First Layer

Line Pull	lbs.	no load	1,000	3,000	5,000	
	kgs	load	450	1,350	2,260	
Line Speed	fpm	12V	15	11	8	5
		24V	20	17	12	8
	mpm	12V	4.5	3.3	2.4	1.5
		24V	6	5.1	3.6	2.4
Motor Current	amps	12V	45	100	155	230
		24V	20	50	105	160

### Line Pull & Cable Capacity

Layer of Cable		1	2	3	4
Rated Line Pull per Layer	lbs.	5,000	4,200	3,600	3,200
	kgs	2,260	1,900	1,630	1,450
Cable Capacity per Layer	ft.	15	30	55	80
	m	4.5	9	17	24

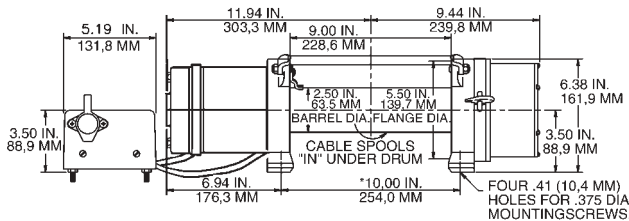
REP 5000 R 12V . . . . . **Part# 110904**  
 REP 5000 R 24V . . . . . **Part# 110906**  
 R - 4-way roller fairlead



# REP SERIES



## REP 8000



\*NOTE: THE FOUR .41 (10.4 MM) DIAMETER MOUNTING HOLES MUST BE IN A 10.00 ± 0.15 X 4.50 ± 0.15 (254.0 X 114.5 MM) RECTANGULAR PATTERN.

### Product Features-REP Series

- Proven three-stage planetary gear system design for fast line speed
- Motor and solenoids are grounded directly to battery
- Strong automatic load-holding brake for strength
- Cam action clutch disengages planetary gear system for free spooling
- Weather resistant solenoid assembly
- 12 ft. wire pendant remote
- 6 ft. (1,83 M) 2 gauge battery cables with connectors
- 4-way roller fairlead
- Limited lifetime warranty
- Made in the USA

### Specifications - REP 8000

Rated line pull . . . . . (single line) 8,000 lbs. (3,620 kgs)  
 Gear reduction ratio . . 126:1 (12V) – 150:1 (24V)  
 Motor . . . . . Series wound 3.8 hp (12V) – Permanent magnet 2.6 hp (24V) DC  
 Overall dimensions . . . . (LxVxH) 21.38" x 6.00" x 6.38" (530 MM x 152 MM x 162 MM)  
 Drum size . . . . . Diameter 2.5" (63 MM) Length 9" (228 MM)  
 Weight . . . . . 75 lbs. (34 kgs)  
 Cable supplied . . . . . 95 ft. (29 M) of 5/16" (8 MM) galvanized aircraft cable with replaceable clevis hook  
 Mounting bolt pattern . 10.00 + - .015 IN x 4.50 + - .015 IN (254,0 MM x 114,3 MM)

Note: 24V models have different dimensions. Consult factory.

Note: Fairlead does not attach directly to winch.

### Line Speed & Amp Draw – First Layer

Line Pull	lbs.	no	2,000	4,000	6,000	8,000	
	kgs	load	900	1,810	2,720	3,620	
Line Speed	fpm	12V	36	15	12	8	5
	mpm	24V	18	15	12	9	6.5
		12V	11.0	4.6	3.7	2.4	1.5
		24V	5.4	4.5	3.6	2.7	1.9
Motor Current	amps	12V	87	168	258	320	405
		24V	10	50	100	150	210

### Line Pull & Cable Capacity

Layer of Cable		1	2	3	4
Rated Line	lbs.	8,000	6,500	5,500	4,800
Pull per Layer	kgs	3,620	2,940	2,490	2,170
Cable Capacity per Layer	ft.	15	40	70	95
	m	4	12	21	28

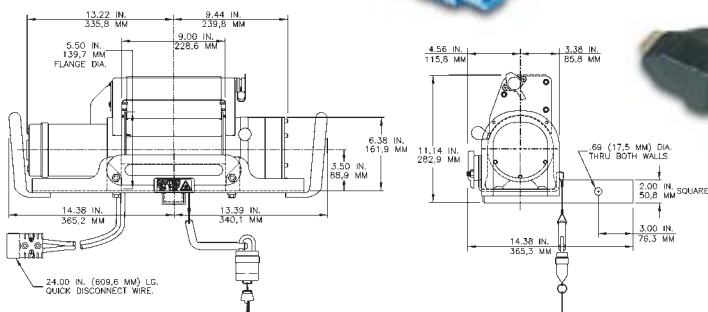
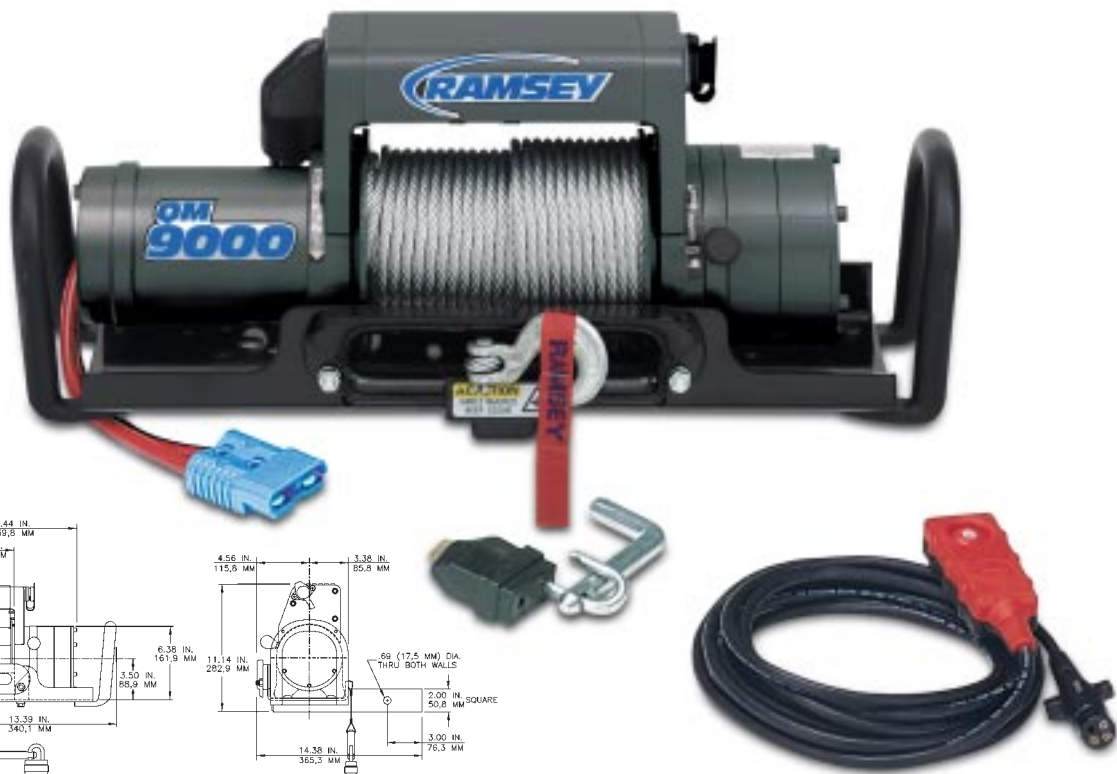
REP 8000 R 12V . . . . . Part# 111036  
 REP 8000 R 24V . . . . . Part# 110809  
 REP 8000 R 24V CE . . . . . Part# 111071

R - 4-way roller fairlead



# QM SERIES

## QM 9000



### Product features-QM Series

- Used with a class-three rear receiver hitch with 5,000 lbs. minimum weight carrying (WC) rating (Receiver must not be recessed more than 1 1/4" from bumper face)\*
- Proven three-stage planetary gear system design for fast line speed
- Strong automatic load-holding brake for strength
- Cam action clutch disengages planetary gear system for free spooling
- Weather resistant fully integrated solenoid assembly
- 12 ft. wire pendant remote
- Anti-theft locking pin
- Hawse fairlead
- Limited lifetime warranty
- Made in the USA

\*All products in the QM Series will front mount into QM Front Receivers from Ramsey Winch.

### Specifications - QM 9000

Rated line pull . . . . . (single line) 9,000 lbs. (4,070 kgs)  
 Gear reduction ratio . . 138:1 (12V)  
 Motor . . . . . Series wound - 4.4 hp 12V DC  
 Overall dimensions . . . (LxVxH) 27.77" x 14.38" x 11.14"  
 (705 MM x 365 MM x 283 MM)  
 Drum size . . . . . Diameter 2.5" (63 MM) Length 9" (228 MM)  
 Weight . . . . . 115 lbs. (52.2 kgs)  
 Cable supplied . . . . . 105 ft. (31.8 M) of 5/16" (8 MM) galvanized aircraft cable with replaceable clevis hook  
 Mounting bolt pattern . 10.00 + - .015 IN x 4.50 + - .015 IN (254.0 MM x 114.3 MM)

- QM 8000/9000 must be used with a class-three rear receiver hitch, or equivalent, with 5,000 lbs. minimum weight carrying (WC) rating. Receiver must not be recessed more than 1 1/4" from bumper face.
- QM 5000 will mount into any standard class-three rear receiver hitch. Receiver must not be recessed more than 1 1/4" from bumper face.

### Line Speed & Amp Draw – First Layer

Line Pull	lbs.	no	2,000	4,000	6,000	9,000
	kgs	load	900	1,810	2,720	4,070
Line Speed	fpm	29	15	11	9	7
	mpm	8.8	4.6	3.4	2.7	2.1
Motor Current	amps 12V	90	190	245	315	400

### Line Pull & Cable Capacity

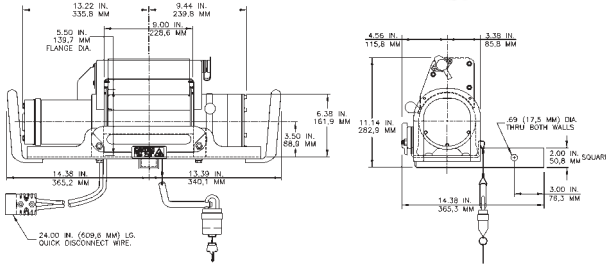
Layer of Cable		1	2	3	4	5
Rated Line Pull per Layer	lbs.	9,000	7,300	6,200	5,400	4,700
	kgs	4,070	3,300	2,800	2,440	2,130
Cable Capacity per Layer	ft.	15	40	70	95	105
	m	4	12	21	28	32

QM 9000 12V . . . . . Part# 111040  
 QM 9000 12V (For H2 Hummer®) . . . . . Part# 111081

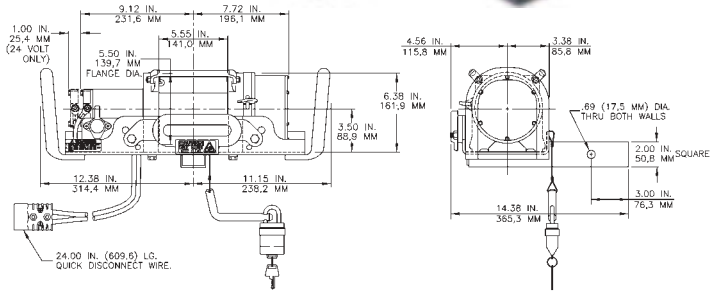
# QM SERIES



## QM 8000



## QM 5000



### Product features-QM Series

- Used with a class-three rear receiver hitch with 5,000 lbs. minimum weight carrying (WC) rating (Receiver must not be recessed more than 1 1/4" from bumper face)\*
- Proven three-stage planetary gear system design for fast line speed
- Strong automatic load-holding brake for strength
- Cam action clutch disengages planetary gear system for free spooling
- Weather resistant fully integrated solenoid assembly
- 12 ft. wire pendant remote
- Anti-theft locking pin
- Hawse fairlead
- Limited lifetime warranty
- Made in the USA

\*All products in the QM Series will front mount into QM Front Receivers from Ramsey Winch.

### Specifications - QM 8000

Rated line pull . . . . . (single line) 8,000 lbs (3,620 kgs)  
 Gear reduction ratio . 126:1 (12V)  
 Motor . . . . . Series wound - 5.5 hp 12V DC  
 Overall dimensions . . . (LxVxH) 27.77" x 14.38" x 11.14"  
 (705 MM x 365 MM x 283 MM)  
 Drum size . . . . . Diameter 2.5" (63 MM) Length 9" (228 MM)  
 Weight . . . . . 107 lbs. (48.5 kgs)  
 Cable supplied . . . . . 95 ft. (29 M) of 5/16" (8 MM) galvanized aircraft cable with replaceable clevis hook

### Line Speed & Amp Draw - First Layer

Line Pull	lbs.	no	2,000	4,000	6,000	8,000
	kgs	load	900	1,810	2,720	3,620
Line Speed	fpm		35	18	13	10
	mpm		10.6	5.5	3.9	3.0
Motor Current	amps	12V	95	210	270	355
						420

### Line Pull & Cable Capacity

Layer of Cable		1	2	3	4
Rated Line Pull per Layer	lbs.	8,000	6,550	5,540	4,800
	kgs	3,629	2,971	2,513	2,177
Cable Capacity per Layer	ft.	15	40	70	95
	m	4	12	21	28

QM 8000 12V . . . . . **Part# 111039**

### Specifications - QM 5000

Rated line pull . . . . . (single line) 5,000 lbs (2,260 kgs)  
 Gear reduction ratio . 294:1 (12V) - 210:1 (24V)  
 Motor . . . . . Permanent magnet - 1.3 hp (12V) - 1.9 hp (24V) DC  
 Overall dimensions . . . (LxVxH) 23.53" x 14.38" x 8.00"  
 (598 MM x 365 MM x 203 MM)  
 Drum size . . . . . Diameter 2.5" (63 MM) Length 5.5" (139 MM)  
 Weight . . . . . 74 lbs. (33.6 kgs)  
 Cable supplied . . . . . 80 ft. (24 M) of 1/4" (6 MM) galvanized aircraft cable with replaceable clevis hook

Note: 24V models have different dimensions. Consult factory.

### Line Speed & Amp Draw - First Layer

Line Pull	lbs.	no	1,000	3,000	5,000
	kgs	load	450	1,360	2,260
Line Speed	fpm	12V	15	11	8
		24V	20	17	12
Motor Current	amps	12V	45	100	155
		24V	20	50	105

### Line Pull & Cable Capacity

Layer of Cable		1	2	3	4
Rated Line Pull per Layer	lbs.	5,000	4,200	3,600	3,200
	kgs	2,260	1,900	1,630	1,450
Cable Capacity per Layer	ft.	15	30	55	80
	m	4.5	9	17	24

QM 5000 12V . . . . . **Part# 111008**  
 QM 5000 24V . . . . . **Part# 111009**

\*QM 5000 will mount into any standard class-three rear receiver hitch. Receiver must not be recessed more than 1 1/4" from bumper face.

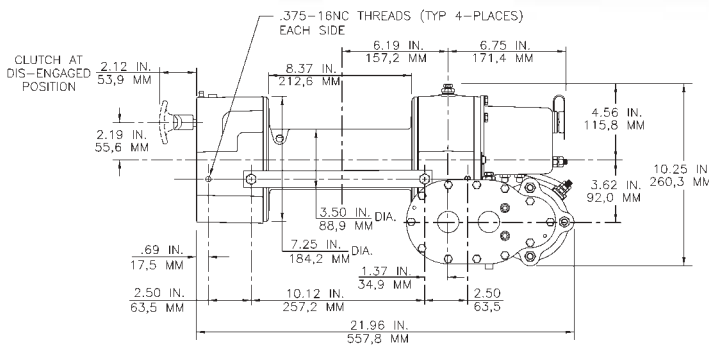
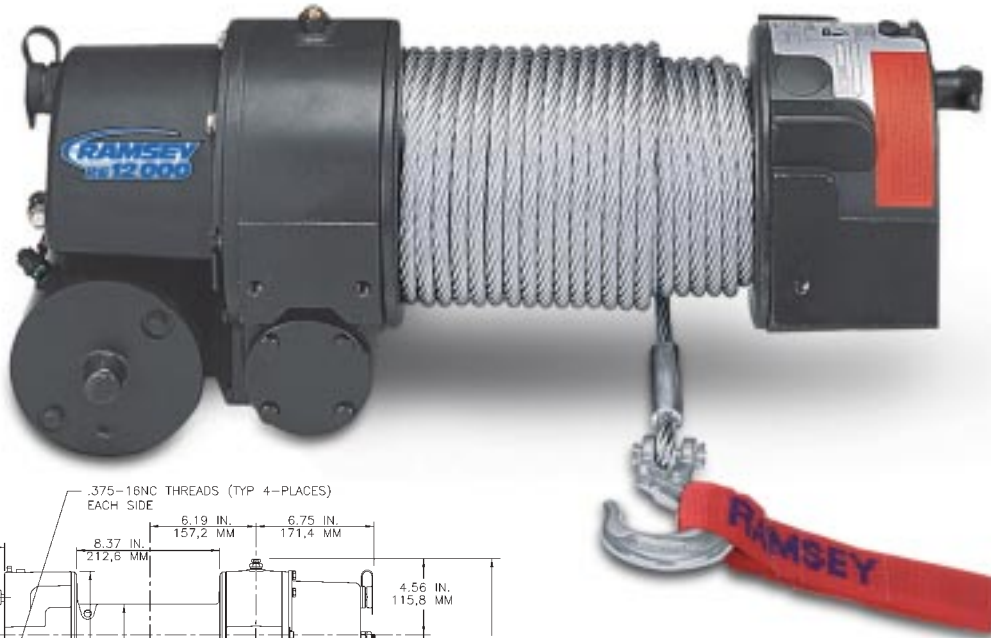
\*QM 8000/9000 must be used with a class-three rear receiver hitch, or equivalent, with 5,000 lbs. minimum weight carrying (WC) rating. Receiver must not be recessed more than 1 1/4" from bumper face.



# RE SERIES

## RE 12000

RE SERIES  
**12000**  
WINCH SHOWN



### Product Features-RE Series

- Strong worm gear provides load reversing protection
- Motor and solenoids are grounded directly to battery

- Exclusive semi-automatic RAM-LOK™ clutch disengages for free spooling
- Weather resistant solenoid assembly
- 12 ft. wire pendant remote
- 6 ft. (1.83 M) 2 gauge battery cables with connectors

- 4-way roller fairlead
- Limited lifetime warranty
- Made in the USA

### Specifications - RE 12000

Rated line pull . . . . . (single line) 12,000 lbs. (5,440 kgs)  
 Gear reduction ratio. 470:1 (12V) (24V)  
 Motor . . . . . Series wound 4.8 hp (12V) – 2.5 hp (24V) DC  
 Overall dimensions . . (LxVxH) 21.96" x 10.75" x 10.25"  
 (558 MM x 273 MM x 260 MM)  
 Drum size . . . . . Diameter 3.5" (89 MM) Length 8.38" (212 MM)  
 Weight. . . . . 135 lbs. (61 kgs)  
 Cable supplied. . . . . 100 ft. (30.5 M) or optional 125 ft. (38 M) of 3/8"  
 (9 MM) galvanized aircraft cable with replaceable clevis hook

Note: 24V models have different dimensions. Consult factory.

### Line Speed & Amp Draw – First Layer

Line Pull	lbs.	kgs	no load	2,000	8,000	10,000	12,000
Line Speed	fpm	mpm	16	8.6	4.4	3.8	3.3
Motor Current	amps		80	150	290	335	380
			30	50	135	160	190

### Line Pull & Cable Capacity

Layer of Cable		1	2	3	4
Rated Line Pull per Layer	lbs.	12,000	10,000	8,600	7,500
	kgs	5,440	4,530	3,890	3,390
Cable Capacity per Layer	ft.	20	40	70	100
	m	6	12	21	30

RE 12000 R 12V. . . . . **Part# 112162**  
 RE 12000 R 24V. . . . . **Part# 110597**

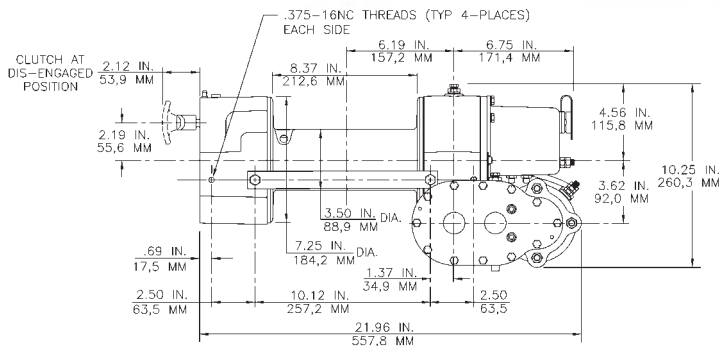
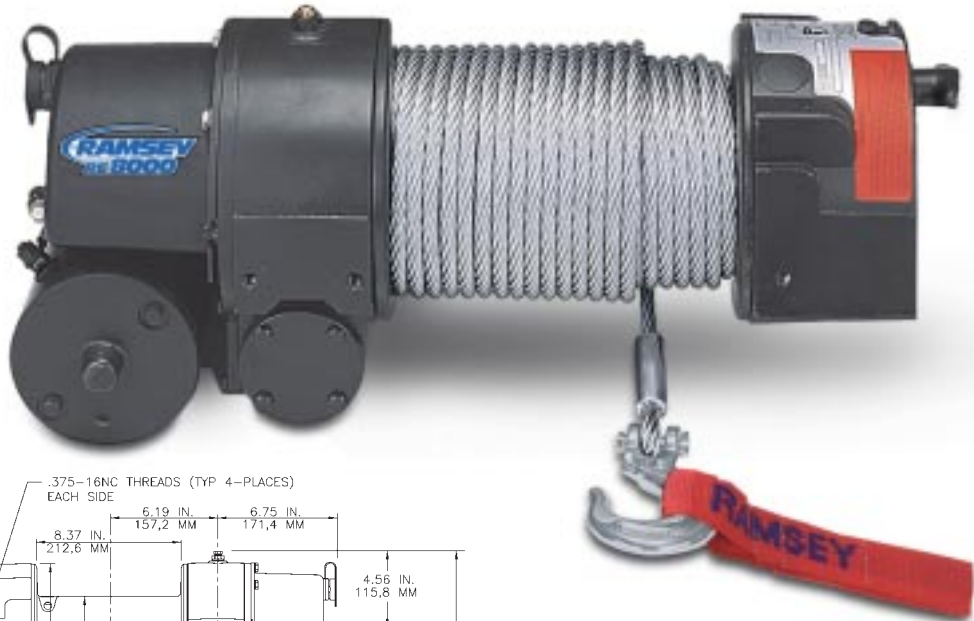
R - 4-way roller fairlead

# RE SERIES



RE SERIES  
**8000**  
WINCH SHOWN

## RE 8000



### Product Features-RE Series

- Strong worm gear provides load reversing protection
- Motor and solenoids are grounded directly to battery
- Exclusive semi-automatic RAM-LOK™ clutch disengages for free spooling
- Weather resistant solenoid assembly
- 12 ft. wire pendant remote
- 6 ft. (1,83 M) 2 gauge battery cables with connectors
- 4-way roller fairlead
- Limited lifetime warranty
- Made in the USA

### Specifications - RE 8000

Rated line pull . . . . . (single line) 8,000 lbs. (3,620 kgs)  
 Gear reduction ratio. 360:1 (12V) (24V)  
 Motor . . . . . Series wound 4.8 hp (12V) - 2.5 hp (24V) DC  
 Overall dimensions . . (LxVxH) 21.96" x 10.75" x 10.25"  
 (558 MM x 273 MM x 260 MM)  
 Drum size . . . . . Diameter 3.5" (89 MM) Length 8.38" (212 MM)  
 Weight . . . . . 130 lbs. (59 kgs)  
 Cable supplied . . . . . 150 ft. (30,5 M) of 5/16" (8 MM) galvanized aircraft cable with replaceable clevis hook

Note: 24V models have different dimensions. Consult factory.

### Line Speed & Amp Draw – First Layer

Line Pull	lbs.	no	2,000	4,000	6,000	8,000	
	kgs	load	900	1,810	2,720	3,620	
Line Speed	fpm	20	9.5	7.0	5.3	4.3	
	mpm	6.1	2.9	2.1	1.6	1.3	
Motor Current	amps	12V	90	170	235	302	370
		24V	36	75	105	140	170

### Line Pull & Cable Capacity

Layer of Cable		1	2	3	4	5
Rated Line Pull	lbs.	8,000	6,800	6,000	5,300	4,800
	kgs	3,620	3,080	2,710	2,400	2,170
Cable Capacity per Layer	ft.	20	50	80	120	150
	m	6	15	24	36	45

RE 8000 R 12V . . . . . Part# 112158  
 RE 8000 R 24V . . . . . Part# 110414

R - 4-way roller fairlead

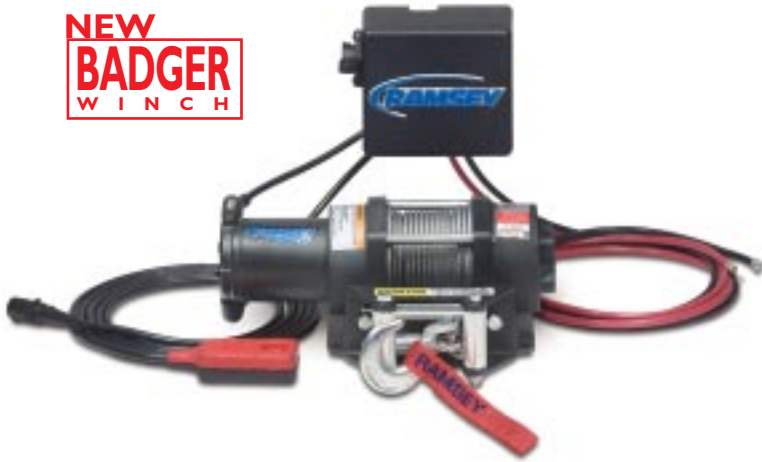


# BADGER SERIES

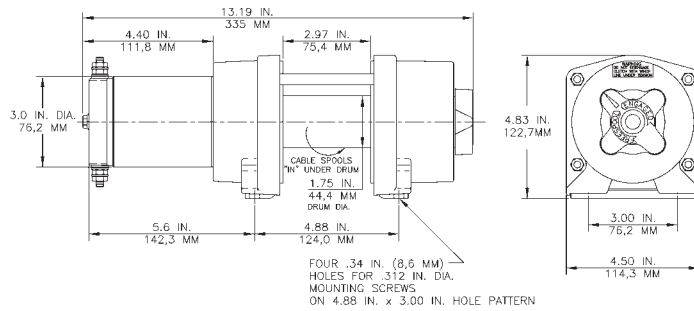
**Badger 2500 with 12 ft. pendant**

**Badger 2500 with motor switch**

**NEW  
BADGER  
WINCH**



**NEW  
BADGER  
WINCH**



### Product Features - Badger Series

- 0.9 HP 12V DC permanent magnet motor that uses minimal AMP Draw
- Proven and efficient three-stage planetary gear system design
- Reliable and easy to operate motor switch control or 12 ft. wire pendant remote

- Strong automatic full load-holding brake
- Large knob cam action clutch for free spooling
- Winch shown with mounting plate PN 251073
- The 50 ft. of aircraft quality wire rope is attached at an anchor point in the

- winch drum for maximum safety and pulling distance
- Comes complete with Hawse or Roller Fairlead depending on model
- Limited lifetime warranty

### Specifications - Badger Series

Rated line pull . . . . . (single line) 2,500 lbs. (1,133 kgs)  
 Gear reduction ratio. . . . . 136:1 (12V)  
 Motor . . . . . Permanent Magnet - 0.9 hp (12V) DC  
 Overall dimensions . . . . . (LxWxH) 13.19" x 4.50" x 4.75"  
 (335 MM x 114 MM x 121 MM)  
 Drum size . . . . . Diameter 1.75" (44 MM) Length 2.97"  
 (76 MM)  
 Weight . . . . . 21 lbs. (9.5 kgs)  
 Cable supplied . . . . . 50 ft. (15 M) of 3/16" (4.8 MM) galvanized  
 aircraft cable with replaceable clevis hook  
 Mounting bolt pattern. . . . . 3.00 + - .015 IN x 4.88 + - .015 IN  
 (76,2 MM x 124,0 MM)  
 Brake . . . . . Automatic load - holding brake standard

Note: Fairlead does not attach directly to winch.

### Line Speed & Amp Draw - First Layer

Line Pull	lbs.	no	500	1000	1500	2000	2500
	kgs	load	227	453	680	906	1133
Line Speed	fpm	18	17	15	12	11	7.5
	mpm	5.5	5.1	4.6	3.7	3.4	2.3
Motor Current	amps	36	54	83	100	109	140

### Line Pull & Cable Capacity

Layer of Cable		1	2	3	4	5
Rated Line Pull per Layer	lbs.	2500	2090	1800	1580	1400
	kgs	1133	947	815	716	634
Cable Capacity per Layer	ft.	7	15	25	37	50
	m	2.12	4.56	7.6	11.3	15.2

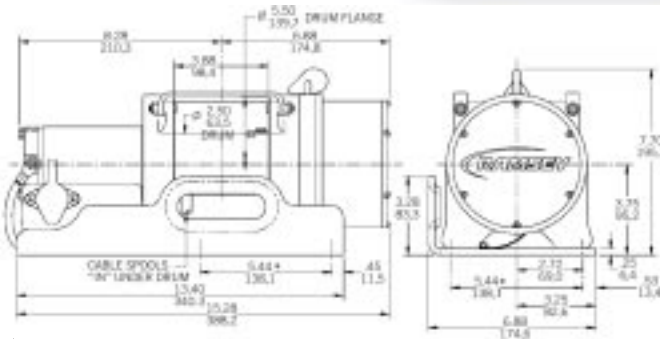
Badger 2500 R 12V with 12 ft. pendant . . . . . **Part # 115102**  
 Badger 2500 H 12V with motor switch . . . . . **Part # 115101**

R - 4-way roller fairlead  
 H - Hawse fairlead

# TR SERIES



## TR 5000



\* MOUNTING BOLT PATTERN:  
FOUR  $\varnothing 406$  HOLES IN A  $5.437 \pm .015 \times 5.437 \pm .015$   
(138,1mm x 138,1mm) RECTANGULAR PATTERN.

DIMENSIONS SHOWN ARE INCHES OVER MILLIMETERS

### Product Features-TR Series

- Proven 3-stage planetary gear system design for fast line speed
- Automatic load-holding brake
- Cam action clutch disengages planetary gear system for free spooling
- Weather resistant solenoid assembly
- 12 ft. wire pendant remote
- 5 ft. (1.83m) 4 gauge battery cables with connectors
- Mounting platform with hawse fairlead
- Cable tensioner
- Limited lifetime warranty
- Made in the USA

### Specifications - TR 5000

Rated line pull . . . . . (single line) 5,000 lbs. (2,260 kgs)  
 Gear reduction ratio. 294:1  
 Motor . . . . . Permanent magnet 1.3 hp (12V)  
 Overall dimensions . . (LxWxH) 15.28" x 6.88" x 7.70"  
 (388 MM x 175 MM x 196 MM)  
 Drum size . . . . . Diameter 2.5" (63 MM) Length 3.9" (99 MM)  
 Weight. . . . . 47 lbs. (21.3 kgs) winch, cable, mounting platform  
 w/fairlead and hook  
 Cable supplied. . . . . 50 ft. (15 M) of 1/4" (6 MM) galvanized  
 aircraft cable with replaceable clevis hook  
 Mounting bolt pattern. . 5.44 + - .015 IN x 5.44 + - .015 IN  
 (138,2 MM x 138,2 MM)



### Line Speed & Amp Draw – First Layer

Line Pull	lbs.	no	1,000	3,000	5,000
	kgs	load	450	1,350	2,260
Line Speed	fpm	15	11	8	5
	mpm	4.5	3.3	2.4	1.5
Motor Current	amps @12V	45	100	155	230

### Line Pull & Cable Capacity

Layer of Cable		1	2	3	4
Rated Line Pull	lbs.	5,000	4,200	3,600	3,200
	kgs	2,260	1,900	1,630	1,450
Cable Capacity per Layer	ft.	10	20	35	50
	m	3.0	6.1	10.7	15.2

TR 5000 12V . . . . . **Part# 111077**

H - Hawse fairlead

Note: Winch is not designed for and should not be used in Industrial or Commercial applications.



# RAMSEY WIRELESS REMOTE

**NEW**  
**WIRELESS**  
REMOTE CONTROL



## The Ramsey Wireless Remote Controller. Just Winch and Go!

Our new Wireless Remote works without cables or switches and gets you winching faster. Just press the remote and you're ready to go! Start, stop, in or out. The wireless remote lets you operate your winch from up to 50 ft. away and works on other brand name winches. Even if you don't own a Ramsey Winch, chances are you can still use the new Ramsey Wireless Remote.

### Product Features

- Patent pending design
- Remote range up to 50 feet
- Transmitter equipped with long-life battery and power saver circuit
- Weatherproof transmitter and receiver
- Installs in minutes
- Visual indicator light shows remote operation
- Additional transmitters available to operate receiver
- Works on virtually all electric, self-recovery front mount winches
- Transmitter replacement battery readily available

### Part Numbers

- 251200** - Ramsey electric front mount winches
- 251201** - Warn electric front mount winches
- 251202** - Superwinch electric front mount winches

**WARNING:** The Ramsey Wireless Remote is designed for use on front mount self-recovery winches only. The remote is not designed for and should not be used on winches or hoists in industrial applications (commercial car haulers/carriers, wreckers, cranes, etc.) or for any other remote controlled applications.





## Product Features

- 100 ft. (30,5M) of 3/8" (9MM)
- Oversized 1/2" clevis hook with safety latch
- Extremely strong Technora™ fiber rope with excellent heat resistance
- Black 10' (3M) rock shield
- New quick-attach cable anchor design\*

## Recommendations:

- For 9,500 lbs. and smaller self-recovery winch models only
- Aluminum hawse fairlead (Part number 251266)

\* Not designed to hold the load. A minimum of 8 wraps of rope around the drum barrel are required to hold the load.

## Are You Looking For Synthetic Rope?

Look no further! Ramsey now has available synthetic rope designed and approved for Ramsey self-recovery automotive winches.

Synthetic rope is an excellent choice as an option for those who do not want wire rope. Synthetic rope is light weight, pliable, easy to handle.

Made from Technora™ which provides excellent heat resistance, our synthetic rope is available in 100' of 3/8" with 1/2" clevis hook with safety latch. A 10' (3M) rock shield will give extra protection against wear and abrasion. Rated for winches up to 9,500lbs capacity.

What are you waiting for?

---

## Part Numbers

**251262** - Synthetic rope

**251266** - Aluminum Hawse Fairlead



# RAMSEY WINCH ACCESSORIES

30,000 lbs. maximum capacity swivel side plate shackle-type snatch block with a greaseable sheave that doubles the winch pulling power. . . . . **251245**

**NEW**  
30,000 LBS.  
**OFF-ROAD**  
ACCESSORY KIT

Durable black Cordura® nylon bag . . . . . **251109**

Leather faced work gloves with protective cuffs. . . . . **251108**

6' x 3" (1,8 m x 7,6 CM) tree trunk protector . . . . . **251241**

Forged steel shackle. . . . . **251246**

## 15,000 lbs. to 5,000 lbs. winches:

Whether you are a competitor or a trail-rider, you should always carry a Ramsey off-road winch accessory kit to get you out of those sticky situations. The off-road winch accessory kit comes with a 30,000 lbs. (13,607 kgs) maximum capacity swivel side plate shackle-type snatch block with a greaseable sheave, forged steel shackle 6' x 3" (1,8 m x 7,6 cm) tree trunk saver, leather faced work gloves with protective cuffs and a durable black Cordura® nylon bag. The winch accessory kit allows you to double your winch's capacity and increase the variety of winch applications, which could someday get you out of a jam!

Part Number . . . . . **251215**  
Maximum cable width . . . . . 7/16" (11 mm)  
Maximum Capacity . . . . . 30,000 lbs. (13,607 kgs)  
Winch Rating . . . . . 15,000 lbs. (6,803 kgs)  
or below models  
Weight . . . . . 12 lbs.

### Components of kit also available individually:

30,000 lbs. maximum capacity swivel side plate shackle-type snatch block with a greaseable sheave that doubles the winch pulling power . . **251245**

Forged steel shackle . . . . . **251246**

6' x 3" (1,8M x 7,6 cm) tree trunk protector . . . . . **251241**

Leather faced work gloves with protective cuffs . . . . . **251108**

Durable black Cordura® nylon bag . . . . . **251109**

## 8,000 lbs. to 5,000 lbs. winches:

Just like the above off-road winch accessory kit, but with a 16,000 lbs. (7,257,5 kgs) maximum capacity swivel side plate shackle-type snatch block, forged steel shackle, 6' x 3" (1,8 m x 7,6 cm) tree trunk saver, leather faced work gloves with protective cuffs and a durable black Cordura® nylon bag.

Part Number . . . . . **251002**  
Maximum cable width . . . . . 5/16" (8 mm)  
Maximum Capacity . . . . . 16,000 lbs. (7,257,5 kgs)  
Winch Rating . . . . . 8,000 lbs. (3,620 kgs) or below models  
Weight . . . . . 10 lbs.

### Components of kit also available individually:

16,000 lbs. maximum capacity swivel side plate shackle-type snatch block . . . . . **251014**

Forged steel shackle . . . . . **251246**

6' x 3" (1,8M x 7,6 cm) tree trunk protector . . . . . **251241**

Leather faced work gloves with protective cuffs . . . . . **251108**

Durable black Cordura® nylon bag . . . . . **251109**

16,000 lbs. maximum capacity swivel side plate shackle-type snatch block that doubles the winch pulling power

## 4,000 lbs. winches and below:

A 8,000 lbs. (3,628,77 kgs) maximum capacity swivel side plate shackle-type snatch block, forged steel shackle, 8' x 1" (2,4 m x 2,5 cm) tree trunk saver/tow strap, leather faced work gloves with protective cuffs and a durable black Cordura® nylon bag.

Part Number . . . . . **251072**  
Maximum cable width . . . . . 3/16" (4,8 mm)  
Maximum Capacity . . . . . 8,000 lbs. (3,628,77 kgs)  
Winch Rating . . . . . 4,000 lbs. (1,814,3 kgs) or below models  
Weight . . . . . 6 lbs.

### Components of kit also available individually:

8,000 lbs. maximum capacity swivel side plate shackle-type snatch block . . . . . **251243**

Forged steel shackle . . . . . **251244**

8' x 1" (2,4 m x 2,5 cm) tow strap/tree trunk protector . . . . . **251240**

Leather faced work gloves with protective cuffs . . . . . **251108**

Durable black Cordura® nylon bag . . . . . **251109**

8,000 lbs. maximum capacity swivel side plate shackle-type snatch block that doubles the winch pulling power

## Dual Battery Isolator (12V & 24V)

Handles alternators up to 95 amps; charges either or both batteries as required:

Isolator only .....	<b>251145</b>
Complete Isolator Kit with mounting hardware and wiring .....	<b>251144</b>
Complete Isolator Kit with mounting hardware and wiring for GM Delco CS series 100 alternator (1986 through 1995 models only) .....	<b>251146</b>



## Safety On-Off Switch

Shuts off power to winch (Under hood mount) .....	<b>282053</b>
Shuts off power to winch (In-cab mount) 12V .....	<b>282062</b>
Shuts off power to winch (In-cab mount) 24V .....	<b>282063</b>

282053 Under Hood Mount



282062 & 282063  
In-Cab Mount



## Mounting Channel - Badger Series

8" (203 MM) Length .....	<b>251073</b>
--------------------------	---------------

## Mounting Channels - REP and Patriot Series

24" (610 MM) Length .....	<b>251126</b>
30" (760 MM) Length .....	<b>251127</b>
36" (810 MM) Length .....	<b>251128</b>



## Clevis Hooks

Badger 2500 .....	<b>251237</b>
REP 5000/6000/8000/9000, ProPlus 6000/8000	
Platinum 9000, RE 8000 & QM 5000/8000 .....	<b>251139</b>
Patriot 9500, RE 12000 .....	<b>251140</b>
Patriot 15000 .....	<b>251239</b>





# RAMSEY WINCH ACCESSORIES

**4-WAY**  
ROLLER FAIRLEAD



**HAWSE**  
FAIRLEAD

**STANDARD**  
REMOTE CONTROL  
SWITCH



**HEAVY DUTY**  
REMOTE CONTROL  
SWITCH

## Fairleads

Hawse fairlead Aluminum for synthetic rope . . . . .	251266
Hawse fairlead for 2,500 lbs. winch . . . . .	251075
Hawse fairlead for 5,000 lb. winch . . . . .	251150
Hawse fairlead for 6,000 to 9,000 lb. winch. . . . .	251152
4-way roller fairlead for 2,500 lb. winch. . . . .	251236
4-way roller fairlead for 5,000 lb. winch. . . . .	251151
4-way roller fairlead for 6,000 to 15,000 lb. winch. . . . .	251183
4-way roller fairlead for RE 12,000 RX (long drum) . . . . .	251154

## Manual Switch & Remote Control Switches

Motor Switch Control (Badger series only) . . . . .	251238
12' (3.66 m) . . . . .	251110
15' (4.57 m) . . . . .	251111
25' (7.62 m) . . . . .	251112
50' (15.24 m) . . . . .	251113
12' (3.66 m) heavy-duty . . . . .	251114
15' (4.57 m) heavy-duty . . . . .	251115
25' (7.62 m) heavy-duty . . . . .	251116
50' ( 15.24 m) heavy-duty . . . . .	251117

## Winch Covers


Ramsey offers a new protection for your winch investment, a black neoprene winch cover that incorporates the Ramsey logo. The neoprene winch cover offers protection from the harsh weather elements, road salt, road wear, etc. and does not require any tie down straps to hold the cover in place. The new neoprene winch cover is made out of tough and weather resistant fabric-coated 2MM neoprene material. The neoprene material resists degradation from sun, ozone and weather. In addition, the neoprene material performs well against oils and other chemicals.

Neoprene Winch Cover, Badger Series . . . . .	251264
Neoprene Winch Cover, REP 6000/8000/9000 with solenoid assembly banded to motor . . . . .	251269
Neoprene Winch Cover, Patriot Profile 6000/8000/9000/9500 with solenoid assembly mounted above motor . . . . .	251270
Neoprene Winch Cover, Patriot Profile 6000/8000/9000/9500, REP 6000/8000/9000 without solenoid assembly mounted to winch. . . . .	251271
Neoprene Winch Cover, Patriot 6000/8000/9500 Patriot Profile 6000/8000/9000/9500 with solenoid assembly mounted above tie bars . . . . .	251259



## Replacement & Extension Cable

(Galvanized aircraft replacement cable with clevis hook)

50' (15.24 m) x 3/16" (4.8 mm) .....	<b>251193</b>	
95' (28.96 m) x 5/16" (8 mm) .....	<b>251118</b>	
100' (30.48 m) x 1/4" (6 mm) .....	<b>251228</b>	
100' (30.48 m) x 5/16" (8 mm) .....	<b>251120</b>	
125' (38.1 m) x 5/16" (8 mm) .....	<b>251121</b>	
150' (45.72 m) x 5/16" (8 mm) .....	<b>251122</b>	
100' (30.48 m) x 3/8" (9 mm) .....	<b>251123</b>	
125' (38.1 m) x 3/8" (9 mm) .....	<b>251124</b>	
105' (32.0) x 5/16" (8 mm) .....	<b>251210</b>	
90' (27.4 m) x 7/16" (11 mm) .....	<b>251230</b>	
50' (15.24 m) x 5/16" (8 mm) - two replacement clevis hooks .....	<b>251125</b>	

## You can Quick Mount any of the following Ramsey Winches:

- Patriot 8000 and 6000 • Patriot Profile 9000, 8000 and 6000 • REP 9000, 8000, 6000 and 5000
- Platinum 9000 • ProPlus 9000, 8000 and 6000

## To Quick Mount a Ramsey Winch, you must have the following parts:

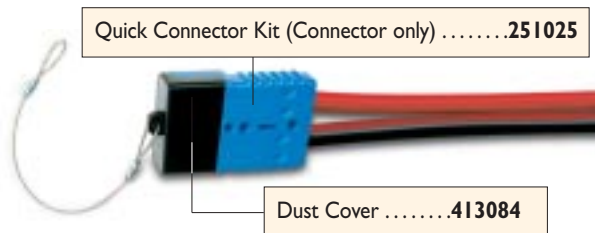
1. Winch
2. QM Winch Mounting Platform
3. Quick Connect Battery Power Lead
4. Wiring Kit

## Winch Mounting Platforms

- Patriot 8000 and 6000 • Patriot Profile 9000, 8000 and 6000 • REP 9000, 8000, 6000 and 5000
- Platinum 9000 • ProPlus 9000, 8000 and 6000 .....

## Quick Connect Battery Power Leads\*†

5 ft. (1.5 M) Battery Power Lead .....	<b>251053</b>
20 ft. (6.1 M) Battery Power Lead .....	<b>251021</b>
24 ft. (7.3 M) Battery Power Lead .....	<b>251054</b>



## Wiring Kits\*

QM kit for Patriot 8000 and 6000, Platinum 9000, ProPlus 9000, 8000 and 6000 (12 volt DC) winch .....	<b>251044</b>
QM kit for Patriot Profile 9000, 8000 and 6000, REP 9000 (12 volt DC) winch .....	<b>251051</b>
QM kit for Patriot Profile 9000, 8000 and 6000, REP 9000 (24 volt DC) winch .....	<b>251052</b>
QM kit for REP 8000, 6000 and 5000 (12 volt DC) winch .....	<b>251060</b>
QM kit for REP 8000, 6000 and 5000 (24 volt DC) winch .....	<b>251061</b>

## NOTES:

- QM 5000 will mount into any standard class-three rear receiver hitch. Receiver must not be recessed more than 1 1/4" from bumper face.
- QM 6000/8000/9000 must be used with a class-three rear receiver hitch, or equivalent, with 5,000 lbs. minimum weight carrying (WC) rating. Receiver must not be recessed more than 1 1/4" from bumper face.
- All products in the QM Series will front mount into QM Front Receivers from Ramsey Winch.

\* QM Wiring Kit and Quick Connect Battery Power Lead must be purchased with Mounting Platform to mount winch.

† A 5 ft. (1.5 M) battery power lead is required for front mounting.

For rear mounting a 20 ft. (6.1 M) or 24 ft. (7.3 M) battery power lead must be purchased.

## Installation Chart

Resources required to complete the installation of the selected mounting kit. All kits require a standard socket set, standard wrench set, phillips and flathead screw drivers, allen wrench set and torque wrench. The lower the number of wrenches, the less difficult the kit is to install.



- Bolt on
- Installation less than 1 hr.
- One person



- Additional tools: electric drill
- Bolt on
- Installation less than 2 hrs.
- One person



- Additional tools: electric drill, tape measure and square
- Requires grille or bumper removal
- Air dam modification
- Installation less than 2-3 hrs.
- Two person



- Additional tools: electric drill, tape measure, square, pry bar and wooden spacers
- Requires grille or bumper removal and modification
- Air dam modification
- Installation less than 3-4 hrs.
- Two person



- Additional tools: electric drill, tape measure, square, pry bar, wooden spacers and jigsaw
- Requires grille or bumper removal and modification
- Installation 4+ hrs.
- Two-three person

### QM Front Receiver

- Allows front mounting of Ramsey QM Series Winch Systems
- QM 5000 will mount into any standard class-three rear receiver hitch
- QM 8000 and 9000 must be used with a class-three rear receiver hitch, or equivalent with 5,000 lbs. minimum weight carrying (WC) rating
- Average wrench installation rating is 44

### Grille Guard

- Grille guard system is designed for Ramsey Patriot, Platinum, REP, RE series winches
- Mounts to factory bumper and vehicle frame
- Grille tubes offer stylish front end protection
- Average wrench installation rating is 444 to 44444

### Sport Bar / Standard Mount

- Sport Bar and Standard Mount systems designed for REP, Patriot Series winches
- Mount to factory bumper and vehicle frame
- Available in black powder finish
- Average wrench installation rating is 44 to 444

### Bumper

- Designed for Patriot Profile, REP and RE series winches
- Custom designed in one piece for best fit
- Replaces original vehicle bumper
- Heavy-duty fleet bumper is structurally reinforced for strength on the job
- Average wrench installation rating is 444

### Original

- Designed for Patriot, Platinum, REP series winches
- Available for Jeep CJ® Wrangler and Scrambler vehicles only
- Uses factory vehicle bumper
- Average wrench installation rating is 4

### Hidden

- Designed for Patriot Profile and REP winch series
- Places winch out of sight
- Some hidden kits may require cutting metal
- Average wrench installation rating is 444

### Wraparound Combo

- Wraparound Combo Systems are designed for Ramsey Patriot, Platinum, REP, RE, series winches
- Mount to factory bumper and vehicle frame
- Stylish grille tubes and brush guards offer full grille and headlight protection
- Average wrench installation rating is 44444

## List of available mounting kit systems

### Hummer Bumper

- Hidden design
- Designed for Ramsey RE series winches
- Average wrench installation rating is 4444

### Sierra Mounting Systems

- Sleek “European” design contours to shape of vehicle
- Sierra Mounting Systems are designed for Ramsey REP and Patriot series winches
- Sierra Mounting Systems mount to vehicle frame without removing bumper
- Available in a wraparound or grille guard style
- Wraparound styling offers full grille and headlight protection
- Average wrench installation rating is 444

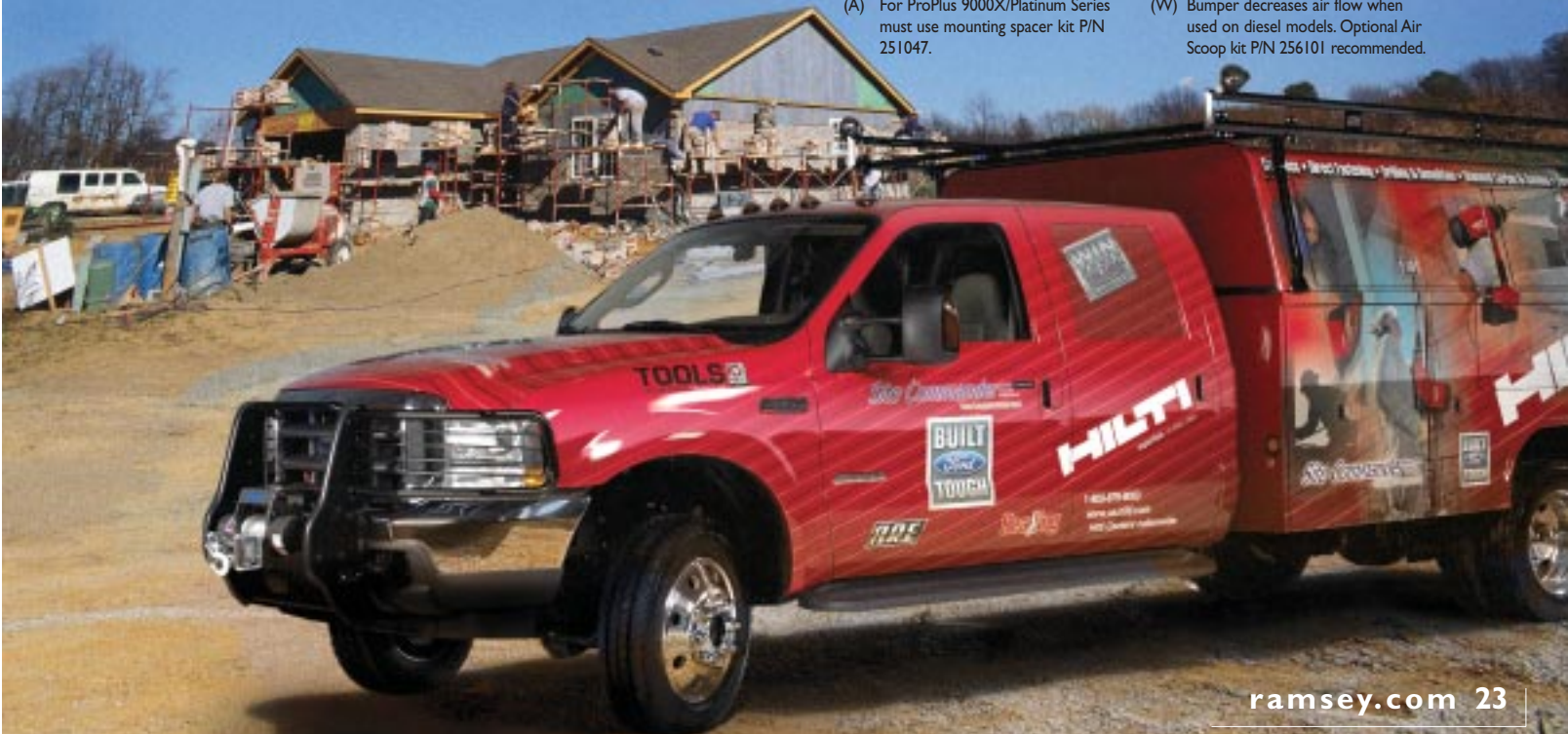
# MOUNTING KITS



## Ford

Ford	Installation Rating	Patriot** Platinum ProPlus / REP QM Series	RE Series	Ford continued	Installation Rating	Patriot** Platinum ProPlus / REP QM Series	RE Series			
2004 F-150 4x4 & 4x2 (old body style Heritage models use 2003 kits)				1997-1998 F-150 4x4, F-250 Light Duty, Expedition 4x4						
Sierra Wraparound	☺☺☺	295943	N/A	Hidden (A)	☺☺	295276	N/A			
Sierra Grille Guard	☺☺☺	295942	N/A	QM Front Receiver	☺☺☺	251049	N/A			
2003-2004 Ford Expedition 4x4 & 4x2				1999-2001 Explorer						
Sierra Wraparound	☺☺☺	295945	N/A	Sierra Wraparound	☺☺☺	295918	N/A			
Sierra Grille Guard	☺☺☺	295944	N/A	Sierra Grille Guard	☺☺☺	295917	N/A			
1999-2003 F-150 4x4; 1999-2000 F-250 Light Duty 4x4; 1999-2002 Expedition 4x4				QM Front Receiver				☺☺☺	251040	N/A
Sierra Wraparound	☺☺☺	295920	N/A	2002 Explorer Sport, Sport Track						
Sierra Grille Guard	☺☺☺	295919	N/A	Standard Mount	☺☺	295363	N/A			
QM Front Receiver	☺☺	251069	N/A	QM Front Receiver	☺☺	251071	N/A			
2001-2004 F-250, F-350, F-450, F-550, Super Duty 4x4 & 4x2; 2000-2003 Excursion 4x4 & 4x2				1995-1998 Explorer, 1997-2000 Mercury Mountaineer						
Wraparound	☺☺☺☺☺	295346	295344	QM Front Receiver	☺☺☺	251040	N/A			
Grille Guard	☺☺☺☺☺	295342	295340	1998-2000 Ranger						
Sierra Wraparound	☺☺☺	295941	N/A	Sport Bar	☺☺☺	295305	N/A			
Sierra Grille Guard	☺☺☺	295940	N/A	QM Front Receiver	☺☺☺	251040	N/A			
Grille Guard (Patriot 15000 only)	☺☺☺☺☺	295368	N/A	1992-1996 F-150, 1992-1998 F-250 HD, F-350, Bronco, Super Duty						
QM Front Receiver	☺☺☺☺☺	251065	N/A	Sport Bar	☺☺☺	295196	N/A			
1999-2000 F-250, F-350, F-450, F-550, Super Duty				TreKker-Bumper* (W)				☺☺☺	212126	212126
Wraparound	☺☺☺☺☺	295346	295344	Req'd Hdwr:		292041 (T)	292050 (T)			
Grille Guard	☺☺☺☺☺	295342	295340	QM Front Receiver	☺☺☺	251029	N/A			
Sierra Wraparound	☺☺☺	295941	N/A	1987-1991 F-150, F-250, F-350, Bronco, Super Duty						
Sierra Grille Guard	☺☺☺	295940	N/A	TreKker Bumper*	☺☺☺	212126	212126			
Grille Guard (Patriot 15000 only)	☺☺☺☺☺	295368	N/A	Req'd Hdwr:		292035 (T)	292034 (T)			
QM Front Receiver	☺☺☺☺☺	251070	N/A							

\*\* Excludes Patriot 15000 (T) Will not fit 2WD diesel F-250 and F-350. Transmission oil cooler lines interfere with RE winches.  
 \* Will not mount ProPlus/Platinum Series winches.  
 (A) For ProPlus 9000X/Platinum Series must use mounting spacer kit P/N 251047. (W) Bumper decreases air flow when used on diesel models. Optional Air Scoop kit P/N 256101 recommended.





# MOUNTING KITS

## Chevrolet / GMC



Chevrolet/GMC	Installation Rating	Patriot <sup>**</sup> Platinum ProPlus/REP QM Series	RE Series
2003-2004 1500 Silverado/Sierra 4x4 & 4x2			
Sierra Grille Guard	☺☺☺	295933	N/A
Sierra Wraparound	☺☺☺	295932	N/A
QM Front Receiver	☺☺	251077	N/A
2003-2004 1500HD Silverado/Sierra 4x4 & 4x2; 2000-2003 2500 Silverado/Sierra 4x4 & 4x2; 2003-2004 2500HD Sierra 4x4 & 4x2; 2003-2004 3500 Sierra 4x4 & 4x2			
Grille Guard	☺☺☺	N/A	295367
Sierra Grille Guard	☺☺☺	295936	N/A
Sierra Wraparound	☺☺☺	295937	N/A
Grille Guard (Patriot 15000 only)	☺☺☺☺	295369	N/A
QM Front Receiver	☺☺	251078	N/A
2003-2004 2500HD Silverado 4x4 & 4x2; 2003-2004 3500 Silverado 4x4 & 4x2			
Grille Guard	☺☺☺	N/A	295367
Sierra Grille Guard	☺☺	295934	N/A
Sierra Wraparound	☺☺	295935	N/A
Grille Guard (Patriot 15000 only)	☺☺☺☺	295369	N/A
QM Front Receiver	☺☺	251078	N/A
1999-2002 1500 Silverado/Sierra 4x4 & 4x2; 2000-2004 1500 Suburban/Yukon XL 4x4 & 4x2; 2000-2004 Tahoe/Yukon 4x4 & 4x2			
Sierra Grille Guard	☺☺☺	295921	N/A
Sierra Wraparound	☺☺☺	295922	N/A
QM Front Receiver	☺☺	251067	N/A
2002 1500HD Silverado/Sierra 4x4 & 4x2; 1999-2002 2500 Silverado/Sierra 4x4 & 4x2; 2000-2004 2500 Suburban/Yukon XL 4x4 & 4x2			
Grille Guard	☺☺☺	N/A	295358
Sierra Wraparound	☺☺☺	295925	N/A
QM Front Receiver	☺☺	251068	N/A

Chevrolet/GMC continued	Installation Rating	Patriot <sup>**</sup> Platinum ProPlus/REP QM Series	RE Series
2001-2002 2500HD Silverado/Sierra 4x4 & 4x2; 2001-2002 3500 Silverado/Sierra 4x4 & 4x2			
Grille Guard	☺☺☺	N/A	295358
Sierra Grille Guard	☺☺☺	295928	N/A
QM Front Receiver	☺☺	251068	N/A
1999-2000 HD2500 (8600 GVW) Silverado/Sierra 4x4 & 4x2; 2000 3500 Silverado/Sierra 4x4 & 4x2; 2000-2001 2500 Suburban/Yukon XL (J)			
Sierra Wraparound	☺☺☺	295925	N/A
Grille Guard	☺☺☺	N/A	295358
QM Front Receiver	☺☺	251068	N/A
1994-1999 Suburban, Tahoe, Yukon; 1994-2000 3500 Pickup CK Series (A) (V) (J); 1994-1998 1500, 2500 Pickup CK Series (V); 2000 3500 CK Series (V) (A)			
Sierra Wraparound	☺☺☺	295901	N/A
Sierra Grille Guard	☺☺☺	295908	N/A
Sport Bar	☺☺	295192	N/A
Hidden* (A)	☺☺	295163	N/A
TreKker Bumper* (W)	☺☺☺	212126	N/A
Req'd Hdwr.		292043	N/A
QM Front Receiver	☺☺	251039	N/A
1992-1993 Suburban, Blazer, Jimmy; 1988-1993 1500, 2500, 3500 Pickup CK Series (H)			
Hidden* (A)	☺☺	295163	N/A
Fleet Bumper* (W)	☺☺☺☺	212129	212129
Req'd Hdwr.		292051	292053
QM Front Receiver	☺☺	251039	N/A

\*\* Excludes Patriot 15000

\* Will not mount ProPlus/Platinum Series winches.

(A) For ProPlus 9000X/Platinum Series must use mounting spacer kit P/N 251047.

(J) Will not fit Yukon Denali.

(V) Will not fit 3500 HD trucks.

(W) Bumper decreases air flow when used on diesel models. Optional Air Scoop kit P/N 256101 recommended.



# MOUNTING KITS



## Dodge



Dodge	Installation Rating	Patriot** Platinum	
		ProPlus / REP QM Series	RE Series
2003-2004 2500, 3500 Ram 4x4 & 4x2			
Sierra Wraparound	☺☺☺	295938	N/A
Sierra Grille Guard	☺☺☺	295939	N/A
Grille Guard	☺☺☺	N/A	295370
Grille Guard (Patriot 15000 only)	☺☺☺	N/A	295371
QM Front Receiver	☺☺	251253	N/A
1998-2003 Durango 4x4 & 4x2; 1997-2004 Dakota 4x4 & 4x2; 1997-2001 Dakota Sport 4x4 & 4x2			
Sierra Grille Guard	☺☺☺	295914	N/A
QM Front Receiver	☺☺☺	251066	N/A

Dodge continued	Installation Rating	Patriot** Platinum	
		ProPlus / REP QM Series	RE Series
2002-2004 1500 Ram 4x4 & 4x2			
Sierra Wraparound	☺☺☺	295929	N/A
Sierra Grille Guard	☺☺☺	295930	N/A
QM Front Receiver	☺☺	251074	N/A
1994-2001 1500 4x4 & 4x2; 1994-2002 2500, 3500 Ram 4x4 & 4x2 (Does not fit sports model)			
Sierra Wraparound	☺☺☺	295905	N/A
Sierra Grille Guard	☺☺☺	295909	N/A
Wraparound	☺☺☺	N/A	295322
QM Front Receiver	☺☺	251050	N/A

\*\* Excludes Patriot 15000



# MOUNTING KITS

## AM General, Lincoln, Nissan-Datsun, Chrysler/Jeep

AM General	Installation Rating	Patriot** Platinum	
		ProPlus/REP QM Series	RE Series
1993-2001 Hummer			
Bumper Kit*	☺☺☺☺	295179	295182
Optional Brushguard (for Bumper)	☺☺	252058	252058
Under Carriage Guard Kit	☺	251064	251064

Lincoln			
1998-2002 Navigator			
Hidden	☺☺	295276 (O)	N/A

Nissan-Datsun			
1998-2000 Frontier 4wd Pickup/Exterra			
Sport Bar	☺☺☺	295315 (CC)	N/A

Chrysler/Jeep	Installation Rating	Patriot** Platinum	
		ProPlus/REP QM Series	RE Series
1997-2004 Jeep Wrangler TJ			
TJ Sport	☺	295241	N/A
Optional Sport Bar (not used with factory Tubular Bumper)	☺	251062	N/A

1997-2001 Cherokee			
Combo	☺☺☺	295326	N/A

1986-1995 Jeep Wrangler YJ			
Original (A)	☺	295150	N/A

1970-1986 CJ & Scrambler			
Original (A)	☺☺☺	295137	N/A

- \*\* Excludes Patriot 15000
- \* Will not mount ProPlus/Platinum Series winches.
- (A) For ProPlus 9000X/Platinum Series must use mounting spacer kit P/N 251047.
- (CC) For 9,000 lbs. rating, use optional 600 amp or larger battery to develop full winch capacity.
- (O) For winches with hawse fairlead only.



RAMSEY WINCH

ATV AUTOMOTIVE INDUSTRIAL CORPORATE DEALERS

WINCHES ACCESSORIES MOUNTING SYSTEMS LITERATURE DEALER LOCATOR MANUALS PRODUCT REGISTER PAGES SPECIALS VIDEO STORES PARTNERS

**head for adventure**  
WITH RAMSEY WINCH

GO TOTALLY WIRELESS

SHOPPING CART SPECIAL

RAMSEY SHOPPING CART SPECIAL

PATRIOT 15000

CHECK OUT THE NEW PATRIOT 15000

COMPETITORS

RAMSEY ROCK CRAWL COMPETITORS

© 2003 Ramsey Winch Company. All Rights Reserved.

**CHECK OUT OUR NEW WEBSITE AT  
WWW.RAMSEY.COM FOR ALL THE  
LATEST PRODUCT INFORMATION  
AND RAMSEY NEWS.**

- Owners Manuals
- Product Specifications
- Performance Details
- Videos
- Dealer Locations
- Mounting System Search
- Product Registration
- Feature Stories
- Electronic Literature
- Product Specials

## WINCH MOUNTING

Ramsey kits are designed for use with Ramsey winches only. Use or sales of kits for other winches or applications voids warranty.

Ramsey offers mounting kits and winches for various vehicles. In crash tests on a limited number of automotive manufacturer's vehicles, winches/mounting kits which have been properly mounted have not interfered with air bag operation.

The installer must verify that the mounting kit does not interfere with the factory air bag sensors, which must not be relocated or modified in any way. The user should follow the vehicle manufacturer's recommendations and those of a qualified mechanic to determine if the winch/mounting kit might interfere with the air bag operation. The user should then determine the suitability of a winch/mounting kit on a particular vehicle.

Please be advised that the vehicle's air bag system may not operate properly if the winch/mounting kit is not mounted in compliance with the vehicle manufacturer's recommendations.

## WARNING

**PRODUCTS IN THIS CATALOG ARE NOT TO BE USED TO LIFT, SUPPORT, OR OTHERWISE TRANSPORT PERSONNEL.**

The winches described herein are neither designed nor intended for use or application to equipment used in the lifting, moving or transportation of persons.

The cable clamps alone on winches are not designed to hold rated loads. Therefore, a minimum of five (5) wraps of cable must be left on drum barrel to achieve rated load.

Winches shown are solely and exclusively designed for non-industrial applications. Use in other applications will void warranty. Information on Ramsey industrial winches with line pull ratings from 3,000 lbs. to 50,000 lbs. is available from your Ramsey distributor or the factory.

Go where four wheels fear to tread.

**RAMSEY  
WINCH**

HEAD FOR ADVENTURE™



Distributed by:

For more information visit us at [www.ramsey.com](http://www.ramsey.com)