

## LIGHTWEIGHT

At just 15Kgs, and when folded the **Portable Rescue Tree** can be carried over a long distance with ease.

The **Portable Rescue Tree** digs itself in as more pressure is applied so it is a one man operation. Fast anchoring in sand, mud, soil and hard soils to gravel.

The **Portable Rescue Tree** is quality assured.

No more slings, snatcham straps, star pickets or burying your spare wheel to un-bog your vehicle.

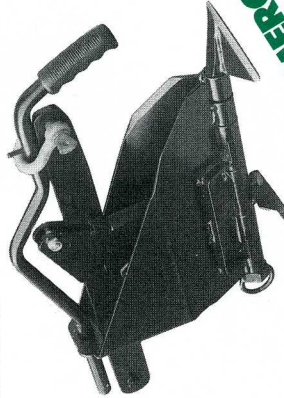
The **Portable Rescue Tree** ground anchor has been strain tested to withstand a creditable pull of 12,000lb. (Official NATA test)

The **Portable Rescue Tree** can be used for straining fences, un-bogging tractors, trucks motor homes and 4WD's.

The **Portable Rescue Tree** is used by State Emergency Services (SES Victoria) and Search and Rescue Police Defence Driver Training.

The **Portable Rescue Tree** is a unique Australian product. Designed in Australia for all conditions, and is used with manual winches, block & tackle and tirsors, for any type of winch system for any type of job.

Six years of research and development has produced the **Portable Rescue Tree** - a very compact and easy to use ground anchor.



**FROM 4x4 TO COMMERCIAL  
YOU REQUIRE A POINT FROM  
WHICH YOU CAN ANCHOR FROM!**



**SUPER**

**SIMPLE**

## IN 3 EASY STEPS

Manufactured in Australia & New Zealand

Designed & Distributed by **Anchor Right**

AUSTRALIA P/L

Your local Portable Rescue Tree dealer.

Boat Owners:  
Ask about our revolutionary  
new boat anchor.  
Sand and Reef Combination Anchor

**SARCA**  
SAND AND REEF COMBINATION ANCHOR

The Unique 3 in 1 Anchor  
[www.anchorright.com.au](http://www.anchorright.com.au)

Patented for World Wide Distribution

IMPORTANT NOTICE: Anchor Right accept no responsibility for any damage or injury incurred from using winching equipment. Any type of winching and/or rescue work can involve risks. Any actions involving winching and/or rescue are undertaken at your own risk.



**PORTABLE  
RESCUE TREE**

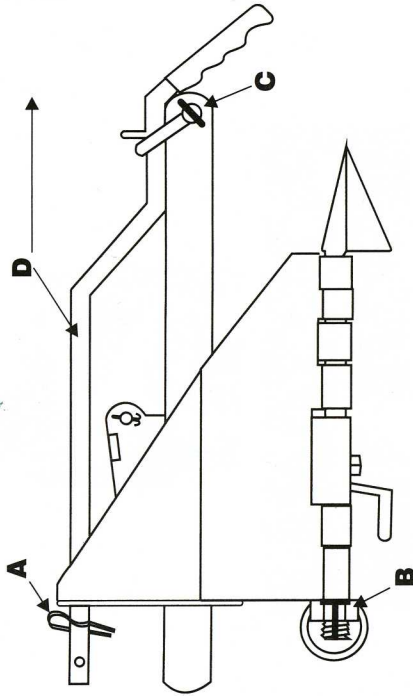


**A ground anchor that's  
extremely compact and  
easy to use with a power  
wind or tirsor.**

**Strain tested by NATA  
and withstood a credible  
12,000lb load!**

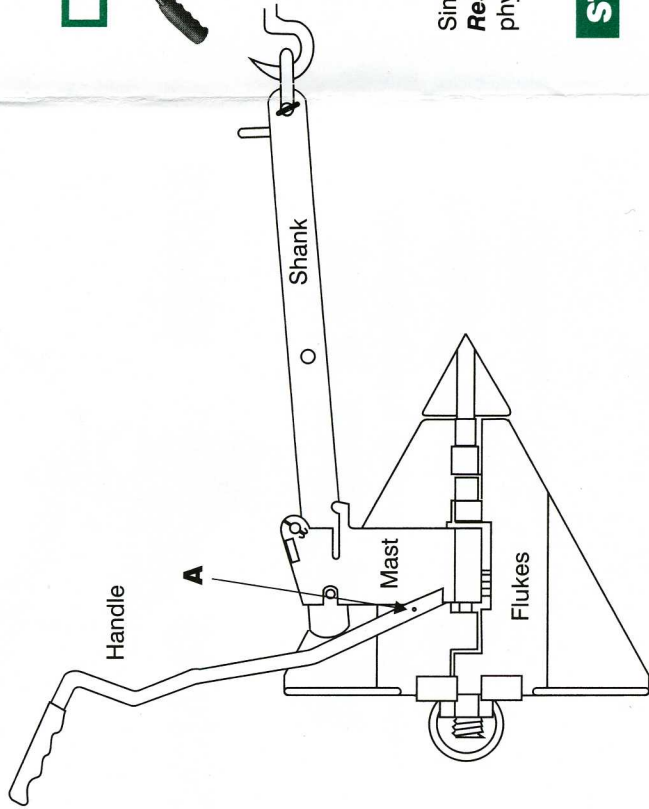
**Don't go bush without one!**

### STEP 1

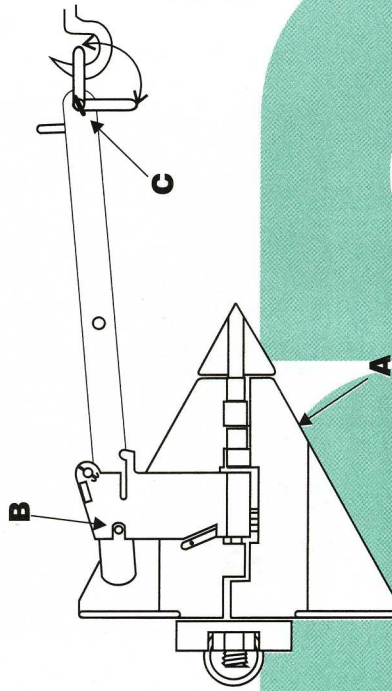


- A** Remove pin from the handle.
- B** Loosen fluke nut.
- C** Remove Bow shackle.
- D** Lift and withdraw handle from unit.

### STEP 3



### STEP 2



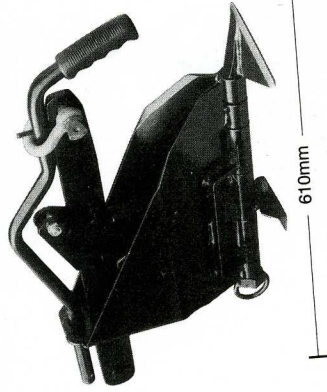
- A** Open wings into operating position. **KEEP FEET CLEAR**
- B** Slide shank forward into operating position.
- C** Attach winch hook to bow shackle (From Step 1C)

### RETRIEVAL

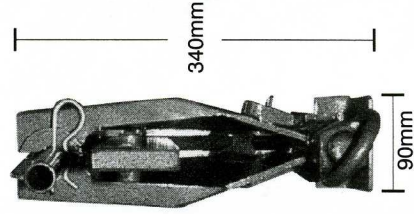


Simply winch your vehicle directly above the **Portable Rescue Tree** to extract it from the ground, with NO physical effort required.

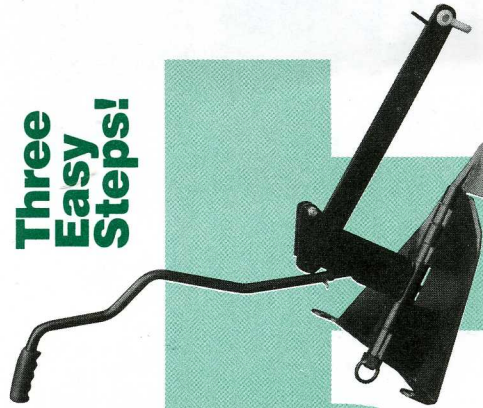
### STORAGE



**The PRT is so compact!**  
When folded, the **Portable Rescue Tree** is approximately the size of a briefcase, and it's comfortable handle makes it just as easy to carry.



### Three Easy Steps!



**A** Fit the handle to the position provided. (Relocate pin from Step 1A into handle).

The **Portable Rescue Tree** is now ready to operate within 30 seconds. The **Portable Rescue Tree** offers you the widest fluke area of any ground anchor in the marketplace giving it exceptional holding power.